

# PARTS LIST

[ MX-K35V ]

\* All printed circuit boards and its assemblies are not available as service parts.

## Area suffix

US ----- Singapore  
 UX ----- Saudi Arabia

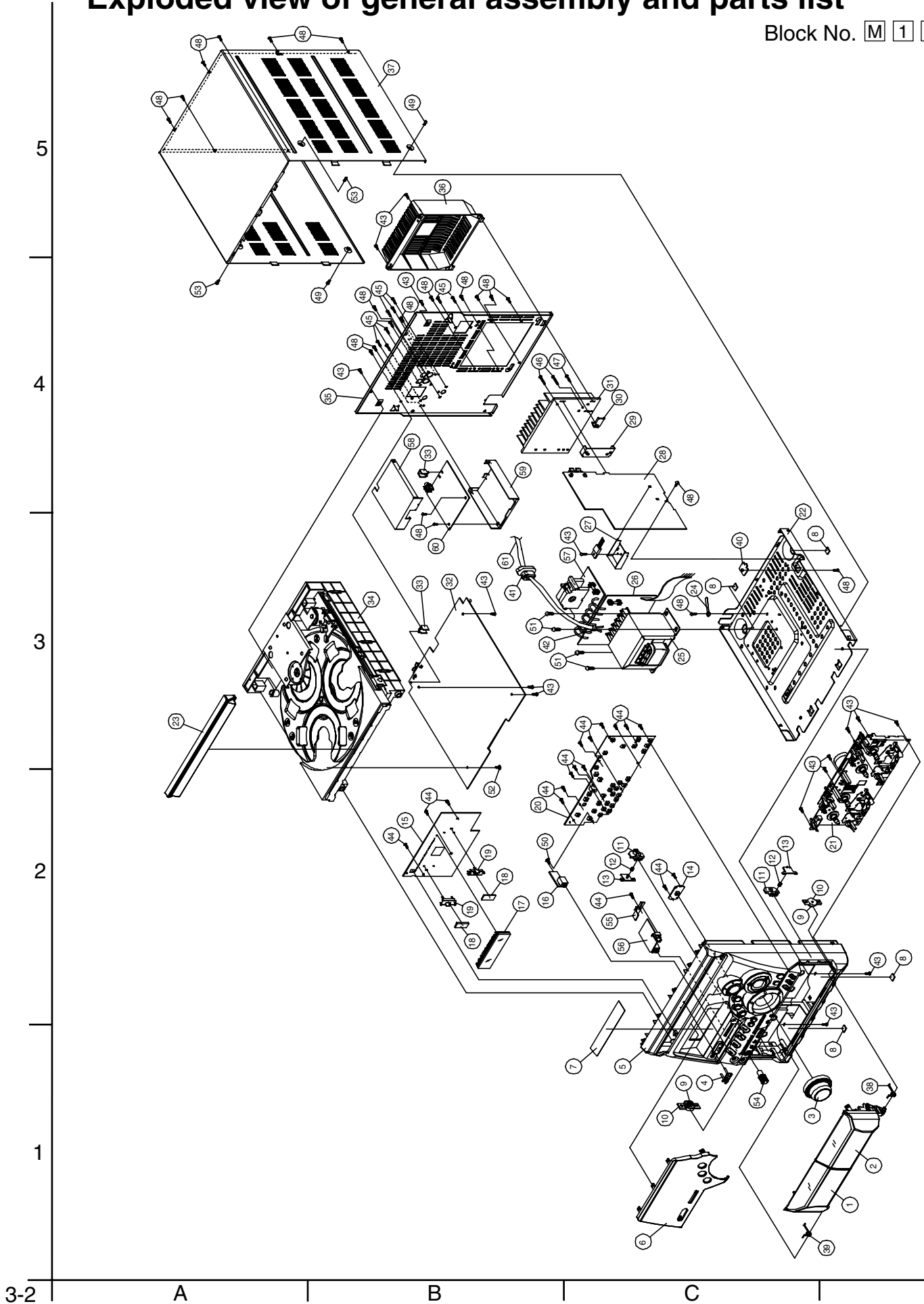
## - Contents -

Exploded view of general assembly and parts list (Block No.M1) .....	3-2
CD changer mechanism assembly and parts list (Block No.MA) .....	3-5
Cassette mechanism assembly and parts list (Block No.MP) .....	3-8
Electrical parts list (Block No.01~05) .....	3-9
Packing materials and accessories parts list (Block No.M3,M5).....	3-20

# Exploded view of general assembly and parts list

Block No. 

M	1	M	M
---	---	---	---



**Parts list (General assembly)**

Block No. M1MM

△	Item	Parts number	Parts name	Q'ty	Description	Area
	1	GJA2031003001C	CASSETTE DOOR	1	ASS'Y L	
	2	GJA2032001001C	CASSETTE DOOR	1	ASS'Y R	
	3	GL4A05303001B0	VOLUME KNOB	1		
	4	GJ460170330201	JVC MARK	1		
	5	GJA2020063001C	FRONT CABINET	1	ASS,Y	
	6	GJ4C05316006C0	DISPLAY LENS	1		
	7	GJ772007940101	MIRROR SHEET	1		
	8	GJ763000320106	FELT, SHEET	4	10X10MM T=2MM	
	9	GJ660490020101	GEAR	2		
	10	GJ660490030101	GEAR BASE	2		
	11	GJ4D04048001A1	HOLDER LOCK	2		
	12	GJ711002070100	SPRING	2	(LOCK) COMPRES	
	13	GJ460400250101	HOLDER, DOOR LO	2		
	14	-----	SWITCH BOARD	1	ASS,Y	
	15	-----	CONTROL BOARD	1	ASS,Y	
	16	-----	HEADPHONE BOARD	1	ASS,Y	
	17	GJ373020041000	DISPLAY FL	1	BJ828GNK	
	18	GJ793000150001	SPONGY	2	8X20XT0.8 MM W/	
	19	GJ560530400101	DISPLAY BRACKET	2		
	20	-----	SWITCH BOARD	1	ASS,Y	
	21	-----	CASSETTE MECHA	1	CMAT6Z216A	
	22	GJ560530200102	BOTTOM CASE	1		
	23	GJ4B05315002E0	CD FITTING	1		
	24	GJ727450540503	SOLDER TAG	1	M4.5X54X0.5MM	
△	25	GJ336760090016	POWER TRANS.	1	EI-76 T951	
	26	-----	AC POWER BOARD	1	ASS,Y	
	27	GJ780000180100	HEAT SINK	1		
	28	-----	AMP BOARD	1	ASS,Y	
	29	GJ560400060201	BRACKET, IC	1		
	30	GJ560170110101	BRACKET, B	1		
	31	GJ780000210202	HEAT SINK	1		
	32	-----	MAIN BOARD	1	ASS,Y	
	33	GJ560170040101	BRACKET PCB	2	ASS,Y	
	34	-----	CHANGER MECHA	1	KSM-213CCMJ	
	35	GJ560530300328	REAR CASE	1		UX
		GJ560530300327	REAR CASE	1		US
	36	GJ460400420101	HEAT SINK COVER	1		
	37	GJ560530100101	METAL COVER	1		
	38	GJ711001850101	TORSION SPRING	1	CASSETTE DOOR R	
	39	GJ711001840100	TORSION SPRING	1	CASSETTE DOOR L	
	40	GJ560170290101	OPENING BRACKET	1		
△	41	GJ796000030000	CORD BUSHING	1		
	42	GJ732000010101	CABLE TIE	1		
	43	GJ702244300810	SCREW	16	3X8 +BV TYPE P	
	44	GJ702244260810	SCREW	17	2.6X8 +BV TYPE	
	45	GJ702244301010	SCREW	9	3X10 +BV TYPE P	
	46	GJ702244301810	SCREW	2	3X18 +BV TYPE P	
	47	GJ702244301410	SCREW	1	3X14 +BV TYPE P	

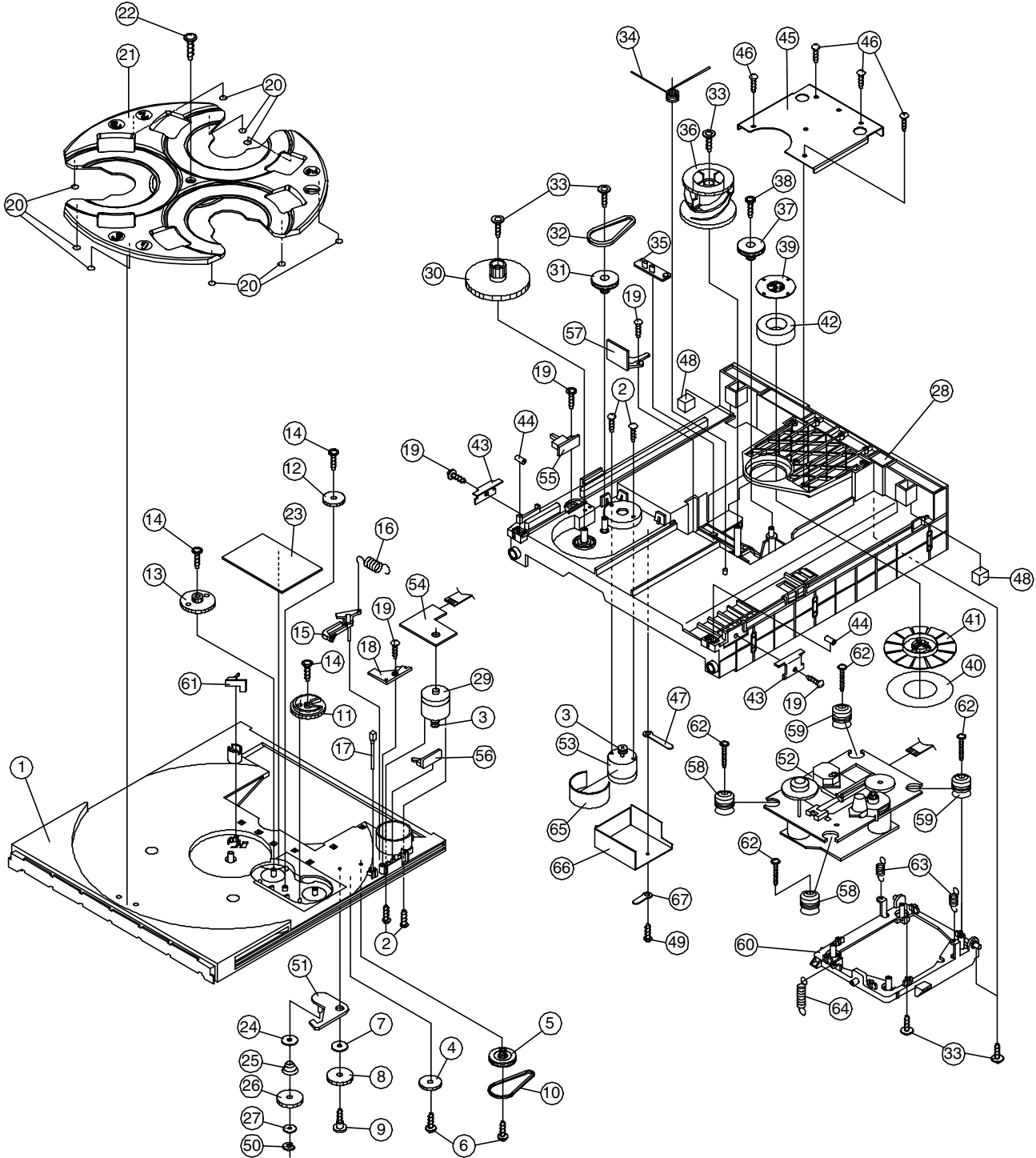
## ■ Parts list

Block No. M1MM

△	Item	Parts number	Parts name	Q'ty	Description	Area
	48	GJ702244300610	SCREW	20	3X6 +BV TYPE P	
	49	GJ702244300650	SCREW	2	3X6 +BV TYPE P	
	50	GJ703260800100	SCREW	1	2.6X8 D10 +BW Z	
	51	GJ702264400610	SCREW	4	4X6 +PW=8 TYPE	
	52	GJ703308000200	SCREW	1	3X8 D=12 +BW ZI	
	53	GJ702244301050	SCREW	2	3X10 +BV TYPE P	
	54	GJ4A05314001B0	MIC KNOB	1		
	55	GJ560530600101	MIC BRACKET	1		
	56	-----	MIC ECHO BOARD	1	ASS'Y	
	57	-----	AC POWER SWITCH	1	ASS'Y	
	58	GJ560533900101	COVER TOP BRACK	1		
	59	GJ560534000101	COVER BOTTOM BR	1		
	60	-----	VCD BOARD	1	ASS'Y	
△	61	GJ350882002113	AC CORD	1		UX
△		GJ350252002119	AC CORD	1		US

# CD changer mechanism assembly and parts list

Block No. M A M M



## ■ Parts list (CD changer mechansim)

Block No. MAMM

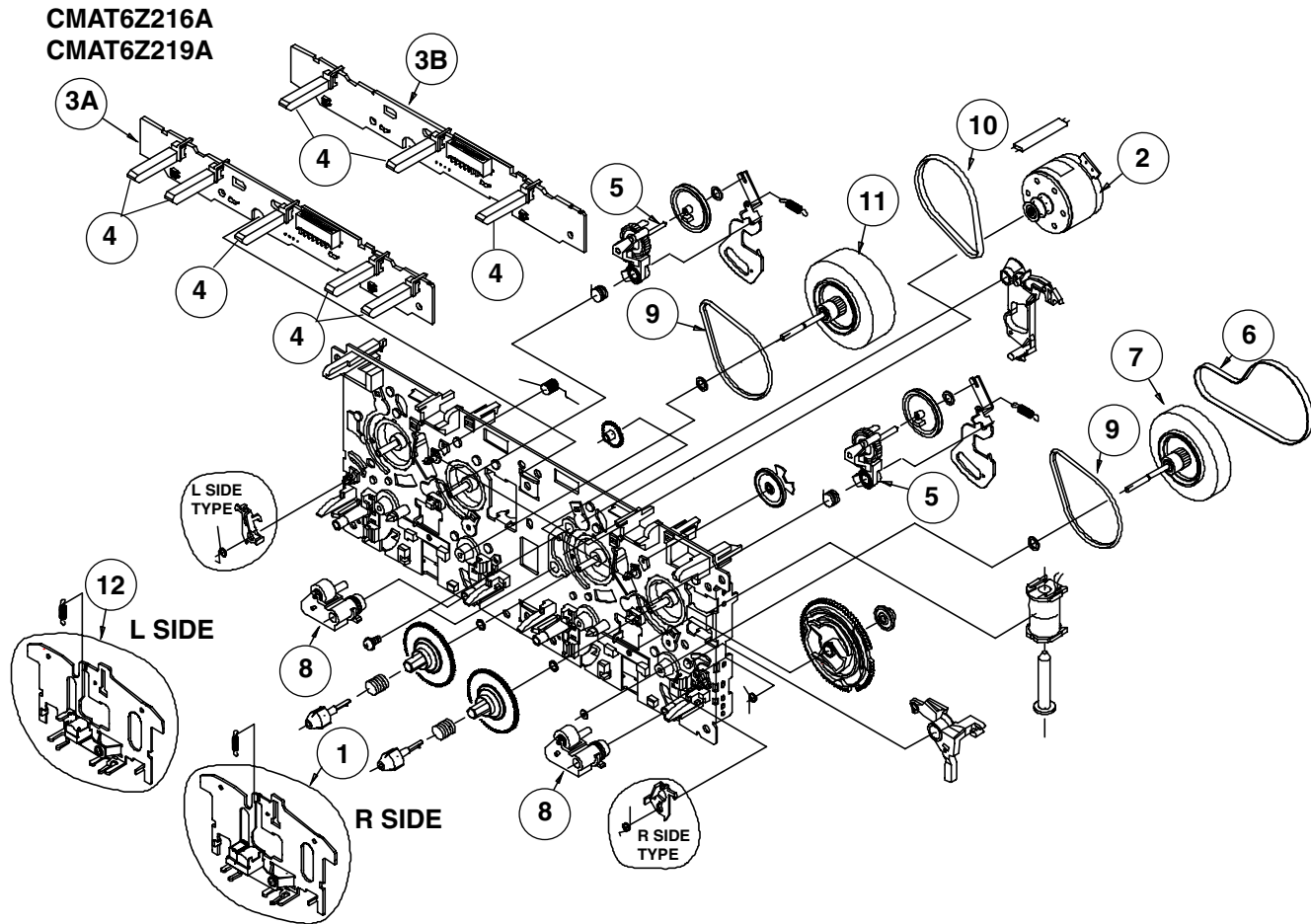
△	Item	Parts number	Parts name	Q'ty	Description	Area
	1	GJ4B04300201A1	TRAY	1		
	2	GJ701222260430	SCREW	4	M2.6X4	
	3	GJ4D01068100A1	MOTOR PULLEY	2	VE75984	
	4	GJ4D04300501A1	RELAY GEAR-A	1		
	5	GJ4D04301801A1	GEAR PULLEY	1		
	6	GJ700263260810	SCREW	2	2.6X8 W8	
	7	GJ721271400500	WASHER	1	2.7XOD14XT0.5MM	
	8	GJ4D04300601A1	RELAY GEAR-B	1		
	9	GJ703260000100	SCREW	1	2.6XF3X5	
	10	GJ560430010101	LOADING BELT	1		
	11	GJ4D04300901A1	TR LOCK GEAR	1		
	12	GJ4D04301001A1	RELAY GEAR-C	1		
	13	GJ4D04301101A1	TR GEAR	1		
	14	GJ700263260610	SCREW	3	2.6X6	
	15	GJ4D04301301A2	SENSOR SWITCH L	1		
	16	GJ711001630100	SPRING SENSOR	1	SWITCH LEVER	
	17	GJ460430220101	RUBBER CUSHION	1		
	18	GJ460430230101	SENSOR SWITCH	1	GUIDING BRACKET	
	19	GJ700223260810	SCREW	5	2.6X8	
	20	GJ761000190100	CUSHION	9	DIA.8	
	21	GJ4B04300101A1	TURRETTO	1		
	22	GJ700263261040	SCREW	1	2.6X10	
	23	GJ560430050101	BLIND SHEET	1		
	24	GJ729421400300	WASHER	1	4.2XOD14XT0.3MM	
	25	GJ711001620101	SPRING	1	CHANGE GEAR	
	26	GJ4D04300701A1	CHANGE GEAR	1		
	27	GJ721311000500	WASHER	1	3.1XOD10XT0.5MM	
	28	GJ4B04301201A2	MAIN CHASSIS	1		
	29	GJ381020310004	MOTOR,	1	M31E-1	
	30	GJ4L04301901A1	SLIDE GEAR	1		
	31	GJ4D04300401A1	GEAR PULLEY (A)	1		
	32	GJ560430060101	LOADING GEAR BE	1		
	33	GJ703300800200	SCREW	5	3X8	
	34	GJ711001640100	SPRING	1	CAM BRACKET	
	35	GJ460430160101	SW LEVER	1		
	36	GJ4D04301401A1	UD CAM GEAR	1		
	37	GJ4D04301501A1	UD REDUCE GEAR	1		
	38	GJ700264200810	SCREW	1	2X10	
	39	GJ560430120101	YOKE CHUCKING	1	SECC-C20	
	40	GJ763000440100	FELT	1		
	41	GJ4D04301704A1	CLAMPER	1		
	42	GJ383000040100	MAGNET	1	30XID18XT5MM	
	43	GJ560430070101	RAIL GUILD	2		
	44	GJ4D04302001A1	ROLLER	2		
	45	GJ560430100101	MAIN CHASSIS BK	1		
	46	GJ700221300510	SCREW	4	3X5	
	47	GJ560430110101	EARTH TERMINAL	1		
	48	GJ761000220100	CUSHION	2	12X8XT5MM	

**Parts list (CD changer mechanism)**

Block No. MAMM

△	Item	Parts number	Parts name	Q'ty	Description	Area
	49	GJ702244301010	SCREW	1	3X10	
	50	GJ560430090101	E-RING	1		
	51	GJA2039002002A	CHANGE PLATE	1	ASS'Y	
	52	KSM-213CCMJ	CD MECHA ASSY.	1	KSM-213 CCM	
	53	GJ381000350004	MOTOR,	1	M31E-1 R-147210	
	54	-----	CD SWITCH BOARD 1	1	ASS'Y	
	55	-----	CD SWITCH BOARD 2	1	ASS'Y	
	56	-----	CD SWITCH BOARD 3	1	ASS'Y	
	57	-----	CD SWITCH BOARD 4	1	ASS'Y	
	58	GJ764020180100	RUBBER, DAMPER	2		
	59	GJ764020170100	RUBBER, DAMPER	2		
	60	GJ4O04302101A1	MECHA BASE KSM	1		
	61	-----	CD SWITCH BOARD	1	ASS'Y	
	62	GJ700264261840	SCREW	4	2.6X18	
	63	GJ711001650100	SPRING-PU	2		
	64	GJ711001660100	SPRING-PU (A)	1		
	65	GJ560400100101	SHIELD, CORE	1		
	66	GJ560533600101	SHIELD PLATE	1		
	67	GJ727400140301	SOLDERING TAP	1	M4X14X0.3MM	

# Cassette mechanism assembly and parts list

Block No. M P M M

Note: Parts listed on the Parts List below can be supplied. However, parts that are not listed below cannot be supplied individually but only by purchasing the whole Cassette Mechanism Assembly Unit. (When ordering, use the Parts No. CMAT6Z216A or CMAT6Z219A for Cassette Mechanism Assembly Unit.)

## Parts list (Cassette mechanism)

Block No. M2MM

Item	Parts number	Parts name	Q'ty	Description	Area
1	F513-858	PLATE HD BLK	1		
2	F525-338	MTR MAIN BLK	1		
3A	-----	PCB CONTROL BLK	1	CMAT6Z216A	
3B	-----	PCB CONTROL BLK	1	CMAT6Z219A	
4	UE20P-12	LEAF SWITCH	5	CMAT6Z216A	
	UE20P-12	LEAF SWITCH	3	CMAT6Z219A	
5	F522-063	CLUTCH ASSY BLK	2		
6	FF19U-12	MAIN BELT	1		
7	FR25P-11	ASSY F/W	1		
8	F514-135	ROLLER PINCH BLK R	2		
9	FF19S-31	F/R BELT MO	2		
10	FF19N-11	MAIN BELT	1		
11	FR25R-11	ASSY F/W	1		
12	F513-855	PLATE HD BLK	1		



## ■ Electrical parts list (Main board)

Block No. 01

△	Item	Parts number	Parts name	Remarks	Area	△	Item	Parts number	Parts name	Remarks	Area
	CF1	GJ360000190017	CERAMIC FILTER	SFE10.7MA5			C214	GJ283101042415	M.CAPACITOR	50V K 0.1UF	
	CF2	GJ360000190017	CERAMIC FILTER	SFE10.7MA5			C215	GJ270111070399	E.CAPACITOR	10V M 100UF 5X1	
	CN301	GJ340022220102	CONNECTOR	P=1.25MM 22PIN			C216	GJ270144750399	E.CAPACITOR	25V VX M 4.7UF	
	CN302	GJ340022220102	CONNECTOR	P=1.25MM 22PIN			C217	GJ270141060399	E.CAPACITOR	25V VX M 10UF 5	
	CN305	GJ340022150102	CONNECTOR	P=1.25MM 15PIN			C22	GJ264141022199	C.CAPACITOR	50V B K 1000PF	
	CN306	GJ340072050102	CONNECTOR	5PINS P=2.5MM(T			C220	GJ264142212199	C.CAPACITOR	50V B K 220PF	
	CN307	GJ345202030101	CONNECTOR	3PINS P=2MM (TO			C23	GJ264271032199	C.CAPACITOR	16V Y M 0.01UF	
	CN308	GJ345202080101	CONNECTOR	P=2MM 8PIN (TO			C24	GJ264143312199	C.CAPACITOR	50V B K 330PF	
	CN601	GJ340122160102	CONNECTOR	FFC/FPC P=1MM			C25	GJ270144750399	E.CAPACITOR	25V VX M 4.7UF	
	CN602	GJ345201060101	CONNECTOR	6PINS RA P=2MM			C26	GJ270114760399	E.CAPACITOR	10V M 47UF 5X11	
	CN603	GJ345202070101	CONNECTOR	7PINS ST P=2MM			C27	GJ262671042499	C.CAPACITOR	16V Y F Z 0.1MF	
	CN604	GJ340022050102	FFC CONNECTOR	FFC/FPC 5PIN P=			C28	GJ270191050399	E.CAPACITOR	50V VX M 1UF 5X	
	CN605	GJ340021050109	CONNECTOR,	FFC/FPC 5PIN P=			C3	GJ264141022199	C.CAPACITOR	50V B K 1000PF	
	CN606	GJ340122250102	CONNECTOR	P=1MM ST 25PIN			C301	GJ264141022199	C.CAPACITOR	50V B K 1000PF	
	CW603	GJ348202050102	HOLDER, CABLE	5P			C303	GJ270192250399	E.CAPACITOR	50V VX M 2.2UF	
	CW606	GJ348202030102	HOLDER, CABLE	3P			C304	GJ264141022199	C.CAPACITOR	50V B K 1000PF	
	CW607	GJ348202020102	HOLDER, CABLE	2P(W607)			C305	GJ270121070399	E.CAPACITOR	16V VX M 100UF	
	C1	GJ264372232199	C.CAPACITOR	50V F Z 0.022UF			C306	GJ270114760399	E.CAPACITOR	10V M 47UF 5X11	
	C10	GJ264271032199	C.CAPACITOR	16V Y M 0.01UF			C307	GJ264148212199	C.CAPACITOR	50V B K 820PF	
	C101	GJ264141012199	C.CAPACITOR	50V B K 100PF			C308	GJ283101532415	M.CAPACITOR	50V K 0.015UF	
	C102	GJ270191050399	E.CAPACITOR	50V VX M 1UF 5X			C309	GJ264271032199	C.CAPACITOR	16V Y M 0.01UF	
	C103	GJ270191050399	E.CAPACITOR	50V VX M 1UF 5X			C310	GJ270121070399	E.CAPACITOR	16V VX M 100UF	
	C104	GJ270191050399	E.CAPACITOR	50V VX M 1UF 5X			C311	GJ282031032499	MM CAPACITOR	50V J 0.01UF	
	C105	GJ270191050310	E.CAPACITOR	50V VX M 1UF 5X			C312	GJ283106822415	M.CAPACITOR	50V K 0.068UF	
	C106	GJ270144750399	E.CAPACITOR	25V VX M 4.7UF			C313	GJ264271032199	C.CAPACITOR	16V Y M 0.01UF	
	C107	GJ270144750399	E.CAPACITOR	25V VX M 4.7UF			C314	GJ264271032199	C.CAPACITOR	16V Y M 0.01UF	
	C108	GJ270144750399	E.CAPACITOR	25V VX M 4.7UF			C315	GJ264271032199	C.CAPACITOR	16V Y M 0.01UF	
	C109	GJ270144750399	E.CAPACITOR	25V VX M 4.7UF			C316	GJ264271032199	C.CAPACITOR	16V Y M 0.01UF	
	C11	GJ264374732199	C.CAPACITOR	50V F Z 0.047UF			C317	GJ270121070399	E.CAPACITOR	16V VX M 100UF	
	C110	GJ283108232415	M.CAPACITOR	50V K 0.082UF			C318	GJ270144750399	E.CAPACITOR	25V VX M 4.7UF	
	C111	GJ283108232415	M.CAPACITOR	50V K 0.082UF			C319	GJ270121080199	E.CAPACITOR	16V M 1000UF 10	
	C112	GJ283105622415	M.CAPACITOR	50V K 0.0056UF			C320	GJ279004752032	CAP, BIPOlar	50V 4.7MF	
	C113	GJ283101242415	M.CAPACITOR	50V K 0.12UF			C323	GJ264271032199	C.CAPACITOR	16V Y M 0.01UF	
	C114	GJ283101042415	M.CAPACITOR	50V K 0.1UF			C325	GJ270192250399	E.CAPACITOR	50V VX M 2.2UF	
	C115	GJ270111070399	E.CAPACITOR	10V M 100UF 5X1			C326	GJ264271032199	C.CAPACITOR	16V Y M 0.01UF	
	C116	GJ270144750399	E.CAPACITOR	25V VX M 4.7UF			C327	GJ270121060399	E.CAPACITOR	16V M 10UF 5X11	
	C117	GJ270141060399	E.CAPACITOR	25V VX M 10UF 5			C328	GJ270124760399	E.CAPACITOR	16V M 47UF 5X11	
	C118	GJ270124760399	E.CAPACITOR	16V M 47UF 5X11			C329	GJ264271032199	C.CAPACITOR	16V Y M 0.01UF	
	C12	GJ264271032199	C.CAPACITOR	16V Y M 0.01UF			C33	GJ270191050310	E.CAPACITOR	50V VX M 1UF 5X	
	C120	GJ264142212199	C.CAPACITOR	50V B K 220PF			C330	GJ264141012199	C.CAPACITOR	50V B K 100PF	
	C13	GJ270111070399	E.CAPACITOR	10V M 100UF 5X1			C331	GJ270111070399	E.CAPACITOR	10V M 100UF 5X1	
	C14	GJ264372232199	C.CAPACITOR	50V F Z 0.022UF			C332	GJ270124760399	E.CAPACITOR	16V M 47UF 5X11	
	C15	GJ264372232199	C.CAPACITOR	50V F Z 0.022UF			C334	GJ270191050399	E.CAPACITOR	50V VX M 1UF 5X	
	C16	GJ270141060399	E.CAPACITOR	25V VX M 10UF 5			C335	GJ270144750399	E.CAPACITOR	25V VX M 4.7UF	
	C17	GJ264271032199	C.CAPACITOR	16V Y M 0.01UF			C336	GJ270191050399	E.CAPACITOR	50V VX M 1UF 5X	
	C18	GJ264271032199	C.CAPACITOR	16V Y M 0.01UF			C337	GJ270124760399	E.CAPACITOR	16V M 47UF 5X11	
	C19	GJ264271032199	C.CAPACITOR	16V Y M 0.01UF			C338	GJ264141022199	C.CAPACITOR	50V B K 1000PF	
	C2	GJ264100392199	C.CAPACITOR	50V CH K 3.9PF			C339	GJ264271032199	C.CAPACITOR	16V Y M 0.01UF	
	C20	GJ264271032199	C.CAPACITOR	16V Y M 0.01UF			C34	GJ264141522199	C.CAPACITOR	50V K 0.0015UF	
	C201	GJ264141012199	C.CAPACITOR	50V B K 100PF			C341	GJ264271032199	C.CAPACITOR	16V Y M 0.01UF	
	C202	GJ270191050399	E.CAPACITOR	50V VX M 1UF 5X			C342	GJ264271032199	C.CAPACITOR	16V Y M 0.01UF	
	C203	GJ270191050399	E.CAPACITOR	50V VX M 1UF 5X			C343	GJ270121080199	E.CAPACITOR	16V M 1000UF 10	
	C204	GJ270191050399	E.CAPACITOR	50V VX M 1UF 5X			C345	GJ264271032199	C.CAPACITOR	16V Y M 0.01UF	
	C205	GJ270191050399	E.CAPACITOR	50V VX M 1UF 5X			C348	GJ282033342499	MM CAPACITOR	50V J 0.33UF	
	C206	GJ270144750399	E.CAPACITOR	25V VX M 4.7UF			C349	GJ264271032199	C.CAPACITOR	16V Y M 0.01UF	
	C207	GJ270144750399	E.CAPACITOR	25V VX M 4.7UF			C350	GJ270191050399	E.CAPACITOR	50V VX M 1UF 5X	
	C208	GJ270144750399	E.CAPACITOR	25V VX M 4.7UF			C351	GJ283106832415	M.CAPACITOR	50V K 0.068UF	
	C209	GJ270144750399	E.CAPACITOR	25V VX M 4.7UF			C352	GJ270141060399	E.CAPACITOR	25V VX M 10UF 5	
	C21	GJ264100822199	C.CAPACITOR	50V CH J 8.2PF			C353	GJ270191050399	E.CAPACITOR	50V VX M 1UF 5X	
	C210	GJ283108232415	M.CAPACITOR	50V K 0.082UF			C354	GJ270191050399	E.CAPACITOR	50V VX M 1UF 5X	
	C211	GJ283108232415	M.CAPACITOR	50V K 0.082UF			C355	GJ270141060399	E.CAPACITOR	25V VX M 10UF 5	
	C212	GJ283105622415	M.CAPACITOR	50V K 0.0056UF			C356	GJ264271032199	C.CAPACITOR	16V Y M 0.01UF	
	C213	GJ283101242415	M.CAPACITOR	50V K 0.12UF			C357	GJ264271032199	C.CAPACITOR	16V Y M 0.01UF	

## ■ Electrical parts list (Main board)

Block No. 01

△	Item	Parts number	Parts name	Remarks	Area	△	Item	Parts number	Parts name	Remarks	Area
	C36	GJ282031032499	MM CAPACITOR	50V J 0.01UF			C616	GJ270124760399	E.CAPACITOR	16V M 47UF 5X11	
	C360	GJ270191040399	E.CAPACITOR	50V VX M 1UF 5X			C617	GJ264144712199	C.CAPACITOR	50V B K 470PF	
	C37	GJ282031032499	MM CAPACITOR	50V J 0.01UF			C618	GJ264144712199	C.CAPACITOR	50V B K 470PF	
	C38	GJ264141022199	C.CAPACITOR	50V B K 1000PF			C619	GJ264144722199	C.CAPACITOR	50V B K 4700PF	
	C4	GJ264372232199	C.CAPACITOR	50V F Z 0.022UF			C62	GJ264141012199	C.CAPACITOR	50V B K 100PF	
	C401	GJ264146812199	C.CAPACITOR	50V B K 680PF			C620	GJ264374732199	C.CAPACITOR	50V F Z 0.047UF	
	C402	GJ264146812199	C.CAPACITOR	50V B K 680PF			C621	GJ264374732199	C.CAPACITOR	50V F Z 0.047UF	
	C403	GJ264033302199	C.CAPACITOR	50V SL J 33PF			C623	GJ264271032199	C.CAPACITOR	16V Y M 0.01UF	
	C404	GJ283101832415	M.CAPACITOR	50V K 0.018UF			C624	GJ270124760399	E.CAPACITOR	16V M 47UF 5X11	
	C405	GJ270111070399	E.CAPACITOR	10V M 100UF 5X1			C625	GJ283104722499	M.CAPACITOR	50V AMZ K 0.004	
	C407	GJ270144750399	E.CAPACITOR	25V VX M 4.7UF			C626	GJ264142722199	C.CAPACITOR	50V B K 2700PF	
	C408	GJ270144750399	E.CAPACITOR	25V VX M 4.7UF			C627	GJ264271032199	C.CAPACITOR	16V Y M 0.01UF	
	C409	GJ264141022199	C.CAPACITOR	50V B K 1000PF			C628	GJ270124760399	E.CAPACITOR	16V M 47UF 5X11	
	C410	GJ264263322199	C.CAPACITOR	16V X M 3300PF			C629	GJ283101532415	M.CAPACITOR	50V K 0.015UF	
	C411	GJ270141060399	E.CAPACITOR	25V VX M 10UF 5			C63	GJ264141012199	C.CAPACITOR	50V B K 100PF	
	C413	GJ264031812199	C.CAPACITOR	50V SL 180PF			C630	GJ264141012199	C.CAPACITOR	50V B K 100PF	
	C414	GJ264141022199	C.CAPACITOR	50V B K 1000PF			C631	GJ270124760399	E.CAPACITOR	16V M 47UF 5X11	
	C415	GJ270144750399	E.CAPACITOR	25V VX M 4.7UF			C632	GJ264271032199	C.CAPACITOR	16V Y M 0.01UF	
	C417	GJ264144712199	C.CAPACITOR	50V B K 470PF			C633	GJ270124760399	E.CAPACITOR	16V M 47UF 5X11	
	C418	GJ264262222199	C.CAPACITOR	16V X M 0.0022U			C634	GJ264271032199	C.CAPACITOR	16V Y M 0.01UF	
	C43	GJ264141022199	C.CAPACITOR	50V B K 1000PF			C636	GJ270124760399	E.CAPACITOR	16V M 47UF 5X11	
	C5	GJ262671042499	C.CAPACITOR	16V Y F Z 0.1MF			C637	GJ264271032199	C.CAPACITOR	16V Y M 0.01UF	
	C50	GJ270124760399	E.CAPACITOR	16V M 47UF 5X11			C638	GJ270111070399	E.CAPACITOR	10V M 100UF 5X1	
	C501	GJ264146812199	C.CAPACITOR	50V B K 680PF			C639	GJ264271032199	C.CAPACITOR	16V Y M 0.01UF	
	C502	GJ264146812199	C.CAPACITOR	50V B K 680PF			C640	GJ264271032199	C.CAPACITOR	16V Y M 0.01UF	
	C503	GJ264033302199	C.CAPACITOR	50V SL J 33PF			C641	GJ264101502199	C.CAPACITOR	50V CH K 15PF	
	C504	GJ283101832415	M.CAPACITOR	50V K 0.018UF			C642	GJ264101502199	C.CAPACITOR	50V CH K 15PF	
	C505	GJ270111070399	E.CAPACITOR	10V M 100UF 5X1			C643	GJ264271032199	C.CAPACITOR	16V Y M 0.01UF	
	C507	GJ270144750399	E.CAPACITOR	25V VX M 4.7UF			C644	GJ270124760399	E.CAPACITOR	16V M 47UF 5X11	
	C508	GJ270144750399	E.CAPACITOR	25V VX M 4.7UF			C645	GJ264271032199	C.CAPACITOR	16V Y M 0.01UF	
	C509	GJ264141022199	C.CAPACITOR	50V B K 1000PF			C646	GJ264374732199	C.CAPACITOR	50V F Z 0.047UF	
	C51	GJ264081202199	C.CAPACITOR	50V CH J 12PF			C647	GJ262671042499	C.CAPACITOR	16V Y F Z 0.1MF	
	C510	GJ264263322199	C.CAPACITOR	16V X M 3300PF			C648	GJ264374732199	C.CAPACITOR	50V F Z 0.047UF	
	C511	GJ270141060399	E.CAPACITOR	25V VX M 10UF 5			C649	GJ262671042499	C.CAPACITOR	16V Y F Z 0.1MF	
	C513	GJ260771812499	C.CAPACITOR	50V SL 180PF			C65	GJ264372232199	C.CAPACITOR	50V F Z 0.022UF	
	C514	GJ264141022199	C.CAPACITOR	50V B K 1000PF			C650	GJ262671042499	C.CAPACITOR	16V Y F Z 0.1MF	
	C515	GJ270144750399	E.CAPACITOR	25V VX M 4.7UF			C651	GJ262671042499	C.CAPACITOR	16V Y F Z 0.1MF	
	C517	GJ264144712199	C.CAPACITOR	50V B K 470PF			C652	GJ264374732199	C.CAPACITOR	50V F Z 0.047UF	
	C518	GJ264262222199	C.CAPACITOR	16V X M 0.0022U			C653	GJ262671042499	C.CAPACITOR	16V Y F Z 0.1MF	
	C52	GJ264081202199	C.CAPACITOR	50V CH J 12PF			C654	GJ270111070399	E.CAPACITOR	10V M 100UF 5X1	
	C53	GJ282031052499	MM CAPACITOR	50V J 1UF (1T			C655	GJ264271032199	C.CAPACITOR	16V Y M 0.01UF	
	C54	GJ264263922199	C.CAPACITOR	16V X M 3900PF			C657	GJ262671042499	C.CAPACITOR	16V Y F Z 0.1MF	
	C55	GJ264144712199	C.CAPACITOR	50V B K 470PF			C658	GJ270121060399	E.CAPACITOR	16V VX M 10UF	
	C56	GJ264271032199	C.CAPACITOR	16V Y M 0.01UF			C659	GJ270121060399	E.CAPACITOR	16V VX M 10UF	
	C58	GJ264141022199	C.CAPACITOR	50V B K 1000PF			C66	GJ270124760399	E.CAPACITOR	16V M 47UF 5X11	
	C59	GJ270111070399	E.CAPACITOR	10V M 100UF 5X1			C660	GJ270121060399	E.CAPACITOR	16V VX M 10UF	
	C60	GJ264271032199	C.CAPACITOR	16V Y M 0.01UF			C67	GJ264271032199	C.CAPACITOR	16V Y M 0.01UF	
	C601	GJ264271032199	C.CAPACITOR	16V Y M 0.01UF			C7	GJ264081202199	C.CAPACITOR	50V CH J 12PF	
	C602	GJ270124760399	E.CAPACITOR	16V M 47UF 5X11			C70	GJ264141022199	C.CAPACITOR	50V B K 1000PF	
	C603	GJ264271032199	C.CAPACITOR	16V Y M 0.01UF			C71	GJ264141022199	C.CAPACITOR	50V B K 1000PF	
	C604	GJ264035602199	C.CAPACITOR	50V SL J 56PF			C792	GJ279004752032	CAP, BIPOLAR	4.7MF 50V	
	C605	GJ264100102199	C.CAPACITOR	50V CH K 1PF			C8	GJ264100472199	C.CAPACITOR	50V CH K 4.7PF	
	C606	GJ262671042499	C.CAPACITOR	16V Y F Z 0.1MF			C851	GJ270194750399	E.CAPACITOR	50V VX M 4.7UF	
	C607	GJ262671042499	C.CAPACITOR	16V Y F Z 0.1MF			C852	GJ264264722199	C.CAPACITOR	16V X M 0.0047U	
	C608	GJ262672242499	C.CAPACITOR	16V Y F Z 0.22M			C853	GJ282031232399	MM CAPACITOR	0.012MF 5% 50V	
	C609	GJ262672242499	C.CAPACITOR	16V Y F Z 0.22M			C854	GJ282031032415	MM CAPACITOR	50V J 0.01UF	
	C61	GJ264141012199	C.CAPACITOR	50V B K 100PF			C855	GJ270111070399	E.CAPACITOR	10V VX M 100UF	
	C610	GJ270124760399	E.CAPACITOR	16V M 47UF 5X11			C856	GJ264271032199	C.CAPACITOR	16V Y M 0.01UF	
	C611	GJ270124760399	E.CAPACITOR	16V M 47UF 5X11			C857	GJ264141012199	C.CAPACITOR	50V B K 100PF	
	C612	GJ264271032199	C.CAPACITOR	16V Y M 0.01UF			C858	GJ270122260399	E.CAPACITOR	16V VX M 22UF 5	
	C613	GJ270124760399	E.CAPACITOR	16V M 47UF 5X11			C859	GJ282031032415	MM CAPACITOR	50V J 0.01UF	
	C614	GJ270111070399	E.CAPACITOR	10V M 100UF 5X1			C860	GJ282034742499	MM CAPACITOR	50V J 0.47UF	
	C615	GJ264271032199	C.CAPACITOR	16V Y M 0.01UF			C861	GJ264263322199	C.CAPACITOR	16V X M 0.0033U	

## ■ Electrical parts list (Main board)

Block No. 01

△	Item	Parts number	Parts name	Remarks	Area	△	Item	Parts number	Parts name	Remarks	Area
	C862	GJ264271032199	C.CAPACITOR	16V Y M 0.01UF			IC601	GJ313020641301	IC	TA2153FN	
	C863	GJ270192250399	E.CAPACITOR	50V VX M 2.2UF			IC602	GJ313090571201	IC	TC9462F	
	C864	GJ264141512199	C.CAPACITOR	50V B K 150PF			IC603	GJ313020651101	IC	TA2092N	
	C865	GJ264141512199	C.CAPACITOR	50V B K 150PF			IC604	GJ313080291401	IC	TA8409S	
	C866	GJ261013312499	C.CAPACITOR	50V B K 330PF			IC605	GJ313080291401	IC	TA8409S	
	C867	GJ270191050399	E.CAPACITOR	50V VX M 1UF 5			IC851	GJ313090431003	IC	BU9253FS-E2	
	C868	GJ270194750399	E.CAPACITOR	50V VX M 4.7UF			IC852	GJ313010022103	IC	BA15218F (SOP)	
	C869	GJ270111070399	E.CAPACITOR	10V VX M 100UF			JA301	GJ342030140109	JACK RCA	D=8.2MM 2PINS B	
	C870	GJ270112270399	E.CAPACITOR	10V VX M 220UF			JA302	GJ342040190113	JACK SPK	4PIN BLACK (ANT	
	C871	GJ264374732199	C.CAPACITOR	AXIAL 16V F Z 0			JA851	GJ342010240113	JACK	H/P D=3.5MM BL	
	C872	GJ264143912199	C.CAPACITOR	50V B K 390PF			LC1	GJ360010100001	BAND PASS FILTE	GFMB31T	
	C873	GJ264143912199	C.CAPACITOR	50V B K 390PF			L1	GJ241112292102	INDUCTOR	2.2UH 5% Q40	
	C875	GJ264271032199	C.CAPACITOR	16V Y M 0.01UF			L2	GJ320130010103	COIL BLOCK	0796001 TK	
	C876	GJ270191050399	E.CAPACITOR	50V VX M 1MF			L3	GJ320020260109	COIL	FM RF (VQC15050	
	C877	GJ270194750399	E.CAPACITOR	50V VX M 4.7UF			L301	GJ320060040105	COIL,	BIAS 10X10MM BL	
	C9	GJ264374732199	C.CAPACITOR	50V F Z 0.047UF			L304	GJ371010100005	FERRITE, BEAD	LGK0305TBA	
	D1	GJ310010220205	DIODE	1SS133T77			L305	GJ241131001301	F.BEAD INDUCTOR	10UH (LAL 04 SK	
	D10	GJ310010220205	DIODE	1SS133T77			L306	GJ371010100005	FERRITE, BEAD	LGK0305TBA	
	D2	GJ310010220205	DIODE	1SS133T77			L4	GJ320020270109	COIL	FM OSC	
	D3	GJ310010220205	DIODE	1SS133T77			L5	GJ241111012102	MICRO INDUCTOR	100UH 5% Q40	
	D301	GJ310010220205	DIODE	1SS133T77			L50	GJ241112212102	INDUCTOR	220UH 10% Q40	
	D302	GJ310010220205	DIODE	1SS133T77			L601	GJ241111002102	INDUCTOR	10UH K CNSS100	
	D303	GJ310010220205	DIODE	1SS133T77			L602	GJ241131001301	F.BEAD INDUCTOR	10UH (LAL 04 SK	
	D304	GJ310010220205	DIODE	1SS133T77			L603	GJ241111002102	INDUCTOR	10UH K CNSS100	
	D307	GJ310030011705	ZENER DIODE	MTZJT775.1A			M1	GJ381000350004	MOTOR,	M31E1 R147210 (	
	D308	GJ310010220205	DIODE	1SS133T77			M2	GJ381020310004	MOTOR,	M31E1 (TURN TAB	
	D309	GJ310010220205	DIODE	1SS133T77			PI SW	GJ390070031204	D.SWING SWITCH	R8130178 (PICK	
	D310	GJ310010220205	DIODE	1SS133T77			Q1	GJ312030141210	TRANSISTOR	KTC3194 (O) (TA	
	D311	GJ310010220205	DIODE	1SS133T77			Q10	GJ312011231210	TRANSISTOR	KTA1267Y	
	D313	GJ310010220205	DIODE	1SS133T77			Q101	GJ312030111210	TRANSISTOR	KTC3199TPGR	
	D314	GJ310010220205	DIODE	1SS133T77			Q103	GJ312030111210	TRANSISTOR	KTC3199TPGR	
	D321	GJ310010220205	DIODE	1SS133T77			Q2	GJ312011211210	TRANSISTOR	KRC107MAT	
	D322	GJ310010220205	DIODE	1SS133T77			Q201	GJ312030111210	TRANSISTOR	KTC3199TPGR	
	D323	GJ310020020104	DIODE	1N4001 BAXIAL			Q203	GJ312030111210	TRANSISTOR	KTC3199TPGR	
	D324	GJ310010220205	DIODE	1SS133T77			Q3	GJ312011211210	TRANSISTOR	KRC107MAT	
	D325	GJ310010220205	DIODE	1SS133T77			Q301	GJ312011191210	TRANSISTOR	KRA107MAT	
	D326	GJ310010220205	DIODE	1SS133T77			Q302	GJ312030131210	TRANSISTOR	KTC3200 (GR) TA	
	D327	GJ310010220205	DIODE	1SS133T77			Q303	GJ312030161210	TRANSISTOR	KTC3203Y (TAPE)	
	D4	GJ310010220205	DIODE	1SS133T77			Q304	GJ312011231210	TRANSISTOR	KTA1267Y	
	D5	GJ310010220205	DIODE	1SS133T77			Q305	GJ312011221210	TRANSISTOR	KRC104MAT	
	D6	GJ310010220205	DIODE	1SS133T77			Q306	GJ312011221210	TRANSISTOR	KRC104MAT	
	D601	GJ310010220205	DIODE	1SS133T77			Q307	GJ312011211210	TRANSISTOR	KRC107MAT	
	D602	GJ310020020104	DIODE	1N4001 BAXIAL			Q308	GJ312011221210	TRANSISTOR	KRC104MAT	
	D603	GJ310020020104	DIODE	1N4001 BAXIAL			Q309	GJ312011251210	TRANSISTOR	KTA1273(Y) (TAP	
	D604	GJ310020020104	DIODE	1N4001 BAXIAL			Q310	GJ312030111210	TRANSISTOR	KTC3199TPGR	
	D7	GJ310050080104	DIODE	SVC203SPAJV			Q311	GJ312011251210	TRANSISTOR	KTA1273(Y) (TAP	
	D8	GJ310050080104	DIODE	SVC203SPAJV			Q312	GJ312030111210	TRANSISTOR	KTC3199TPGR	
	D851	GJ310010220205	DIODE	1SS133T-77			Q313	GJ312011251210	TRANSISTOR	KTA1273(Y) (TAP	
	D852	GJ310030011705	ZENER DIODE	MTZJ-T-77-5.1A			Q314	GJ312011211210	TRANSISTOR	KRC107MAT	
	FB601	GJ371010100005	FERRITE, BEAD	LGK0305TBA			Q315	GJ312030111210	TRANSISTOR	KTC3199TPGR	
	FB602	GJ371010100005	FERRITE, BEAD	LGK0305TBA			Q316	GJ312030111210	TRANSISTOR	KTC3199TPGR	
	FF601	GJ353160100107	CABLE	16PINS P=1MM L			Q317	GJ312030111210	TRANSISTOR	KTC3199TPGR	
	FF604	GJ353050300107	CABLE	5PINS P=1.25MM			Q318	GJ312011211210	TRANSISTOR	KRC107MAT	
	FF605	GJ353150170107	CABLE				Q319	GJ312011251210	TRANSISTOR	KTA1273(Y) (TAP	
	FW303	GJ353110190107	CABLE FLAT	11PIN L=190MM (			Q321	GJ312011211210	TRANSISTOR	KRC107MAT	
	FW602	GJ354005690100	WIRE KIT,	6PIN L=150MM(CN			Q322	GJ312011191210	TRANSISTOR	KRA107MAT	
	FW852	GJ353050280107	FLAT CABLE	5PIN L=280MM TO			Q323	GJ312011191210	TRANSISTOR	KRA107MAT	
	IC1	GJ313020351101	IC	TA2104BN			Q324	GJ312011191210	TRANSISTOR	KRA107MAT	
	IC101	GJ313070541318	IC	TDA7440D			Q325	GJ312011211210	TRANSISTOR	KRC107MAT	
	IC102	GJ313010023103	IC	BA15218 DIP			Q327	GJ312011231210	TRANSISTOR	KTA1267Y (TAPE	
	IC103	GJ313030071103	IC	BA3837 DIP16			Q328	GJ312011171210	TRANSISTOR	KRA102MAT	
	IC2	GJ313090561101	IC	TC9257P			Q329	GJ312011171210	TRANSISTOR	KRA102MAT	
	IC401	GJ313080521101	IC	TA8189N			Q330	GJ312011211210	TRANSISTOR	KRC107MAT	

## ■ Electrical parts list (Main board)

Block No. 01

△	Item	Parts number	Parts name	Remarks	Area	△	Item	Parts number	Parts name	Remarks	Area
	Q4	GJ312011211210	TRANSISTOR	KRC107MAT			R215	GJ250032232199	CARBON RESISTOR	1/4WM J 22K	
	Q401	GJ312020204203	TRANSISTOR	2SD2144STPUVW R			R221	GJ250032222199	CARBON RESISTOR	1/4WM J 2.2K	
	Q402	GJ312020204203	TRANSISTOR	2SD2144STPUVW R			R223	GJ250032212199	CARBON RESISTOR	1/4WM J 220	
	Q403	GJ312030111210	TRANSISTOR	KTC3199TPGR			R224	GJ250034722199	CARBON RESISTOR	1/4WM J 4.7K	
	Q404	GJ312030111210	TRANSISTOR	KTC3199TPGR			R225	GJ250034732199	CARBON RESISTOR	1/4WM J 47K	
	Q405	GJ312030111210	TRANSISTOR	KTC3199TPGR			R23	GJ250035622199	CARBON RESISTOR	1/4WM J 5.6K	
	Q5	GJ312011191210	TRANSISTOR	KRA107MAT			R24	GJ250035622199	CARBON RESISTOR	1/4WM J 5.6K	
	Q501	GJ312020204203	TRANSISTOR	2SD2144STPUVW R			R25	GJ250034722199	CARBON RESISTOR	1/4WM J 4.7K	
	Q502	GJ312020204203	TRANSISTOR	2SD2144STPUVW R			R26	GJ250034722199	CARBON RESISTOR	1/4WM J 4.7K	
	Q503	GJ312030111210	TRANSISTOR	KTC3199TPGR			R3	GJ250031022199	CARBON RESISTOR	1/4WM J 1K	
	Q504	GJ312030111210	TRANSISTOR	KTC3199TPGR			R301	GJ250031022199	CARBON RESISTOR	1/4WM J 1K	
	Q505	GJ312030111210	TRANSISTOR	KTC3199TPGR			R303	GJ250031022199	CARBON RESISTOR	1/4WM J 1K	
	Q6	GJ312011211210	TRANSISTOR	KRC107MAT			R304	GJ250033312199	CARBON RESISTOR	1/4WM J 330	
	Q601	GJ312011211210	TRANSISTOR	KRC107MAT			R305	GJ250031032199	CARBON RESISTOR	1/4WM J 10K	
	Q602	GJ312011231210	TRANSISTOR	KTA1267Y (TAPE)			R306	GJ250031052199	CARBON RESISTOR	1/4WM J 1M	
	Q7	GJ312030111210	TRANSISTOR	KTC3199TPGR			R307	GJ250032222199	CARBON RESISTOR	1/4WM J 2.2K	
	Q8	GJ312030111210	TRANSISTOR	KTC3199TPGR			R308	GJ250031032199	CARBON RESISTOR	1/4WM J 10K	
	Q851	GJ312020204203	TRANSISTOR	2SD2144S-TP-UVW			R309	GJ250031002199	CARBON RESISTOR	1/4WM J 10	
	Q852	GJ312020055202	TRANSISTOR	KTC3199 GR-TP			R310	GJ250033902199	CARBON RESISTOR	1/4WM J 39	
	Q853	GJ312010461303	TRANSISTOR	DTA114YS-TP			R311	GJ250031202199	CARBON RESISTOR	1/4WM J 12	
	Q9	GJ312030111210	TRANSISTOR	KTC3199TPGR			R312	GJ250031022199	CARBON RESISTOR	1/4WM J 1K	
	R1	GJ250031522199	CARBON RESISTOR	1/4WM J 1.5K			R313	GJ250031032199	CARBON RESISTOR	1/4WM J 10K	
	R10	GJ250033312199	CARBON RESISTOR	1/4WM J 330			R314	GJ250031032199	CARBON RESISTOR	1/4WM J 10K	
	R101	GJ250033932199	CARBON RESISTOR	1/4WM J 39K			R315	GJ250031032199	CARBON RESISTOR	1/4WM J 10K	
	R102	GJ250036822199	CARBON RESISTOR	1/4WM J 6.8K			R316	GJ250031032199	CARBON RESISTOR	1/4WM J 10K	
	R103	GJ250032222199	CARBON RESISTOR	1/4WM J 2.2K			R317	GJ250034722199	CARBON RESISTOR	1/4WM J 4.7K	
	R104	GJ250032222199	CARBON RESISTOR	1/4WM J 2.2K			R318	GJ250031032199	CARBON RESISTOR	1/4WM J 10K	
	R105	GJ250031542199	CARBON RESISTOR	1/4WM J 150K			R319	GJ250032232199	CARBON RESISTOR	1/4WM J 22K	
	R106	GJ250036822199	CARBON RESISTOR	1/4WM J 6.8K			R320	GJ250034732199	CARBON RESISTOR	1/4WM J 47K	
	R108	GJ250031032199	CARBON RESISTOR	1/4WM J 10K			R321	GJ250032222199	CARBON RESISTOR	1/4WM J 2.2K	
	R109	GJ250031222199	CARBON RESISTOR	1/4WM J 1.2K			R322	GJ250032222199	CARBON RESISTOR	1/4WM J 2.2K	
	R11	GJ250033312199	CARBON RESISTOR	1/4WM J 330			R323	GJ250032222199	CARBON RESISTOR	1/4WM J 2.2K	
	R110	GJ250032222199	CARBON RESISTOR	1/4WM J 2.2K			R324	GJ250032222199	CARBON RESISTOR	1/4WM J 2.2K	
	R111	GJ250031032199	CARBON RESISTOR	1/4WM J 10K			R325	GJ250032222199	CARBON RESISTOR	1/4WM J 2.2K	
	R112	GJ250035622199	CARBON RESISTOR	1/4WM J 5.6K			R328	GJ250031032199	CARBON RESISTOR	1/4WM J 10K	
	R113	GJ250031032199	CARBON RESISTOR	1/4WM J 10K			R329	GJ250032232199	CARBON RESISTOR	1/4WM J 22K	
	R114	GJ250031022199	CARBON RESISTOR	1/4WM J 1K			R330	GJ250034732199	CARBON RESISTOR	1/4WM J 47K	
	R115	GJ250032232199	CARBON RESISTOR	1/4WM J 22K			R331	GJ250033322199	CARBON RESISTOR	1/4WM J 3.3K	
	R12	GJ250034742199	CARBON RESISTOR	1/4WM J 470K			R332	GJ250034722199	CARBON RESISTOR	1/4WM J 4.7K	
	R121	GJ250032222199	CARBON RESISTOR	1/4WM J 2.2K			R333	GJ250031512199	CARBON RESISTOR	1/4WM J 150	
	R123	GJ250032212199	CARBON RESISTOR	1/4WM J 220			R334	GJ250033322199	CARBON RESISTOR	1/4WM J 3.3K	
	R124	GJ250034722199	CARBON RESISTOR	1/4WM J 4.7K			R335	GJ250034722199	CARBON RESISTOR	1/4WM J 4.7K	
	R125	GJ250034732199	CARBON RESISTOR	1/4WM J 47K			R336	GJ250031512199	CARBON RESISTOR	1/4WM J 150	
	R13	GJ250033302199	CARBON RESISTOR	1/4WM J 33			R337	GJ250033322199	CARBON RESISTOR	1/4WM J 3.3K	
	R14	GJ250033312199	CARBON RESISTOR	1/4WM J 330			R338	GJ250031022199	CARBON RESISTOR	1/4WM J 1K	
	R15	GJ250034732199	CARBON RESISTOR	1/4WM J 47K			R344	GJ250031022199	CARBON RESISTOR	1/4WM J 1K	
	R16	GJ250033322199	CARBON RESISTOR	1/4WM J 3.3K			R345	GJ250031022199	CARBON RESISTOR	1/4WM J 1K	
	R17	GJ250031012199	CARBON RESISTOR	1/4WM J 100			R346	GJ250034702199	CARBON RESISTOR	1/4WM J 47	
	R2	GJ250031042199	CARBON RESISTOR	1/4WM J 100K			R347	GJ250031022199	CARBON RESISTOR	1/4WM J 1K	
	R20	GJ250031012199	CARBON RESISTOR	1/4WM J 100			R348	GJ250032222199	CARBON RESISTOR	1/4WM J 2.2K	
	R201	GJ250033932199	CARBON RESISTOR	1/4WM J 39K			R349	GJ250032212199	CARBON RESISTOR	1/4WM J 220	
	R202	GJ250036822199	CARBON RESISTOR	1/4WM J 6.8K			R350	GJ250031022199	CARBON RESISTOR	1/4WM J 1K	
	R203	GJ250032222199	CARBON RESISTOR	1/4WM J 2.2K			R351	GJ250031042199	CARBON RESISTOR	1/4WM J 100K	
	R204	GJ250032222199	CARBON RESISTOR	1/4WM J 2.2K			R352	GJ250031532199	CARBON RESISTOR	1/4WM J 15K	
	R205	GJ250031542199	CARBON RESISTOR	1/4WM J 150K			R353	GJ250031812199	CARBON RESISTOR	1/4WM J 180	
	R206	GJ250036822199	CARBON RESISTOR	1/4WM J 6.8K			R354	GJ250038212199	CARBON RESISTOR	1/4WM J 820	
	R208	GJ250031032199	CARBON RESISTOR	1/4WM J 10K			R355	GJ250033302199	CARBON RESISTOR	1/4WM J 33	
	R209	GJ250031222199	CARBON RESISTOR	1/4WM J 1.2K			R356	GJ250032212199	CARBON RESISTOR	1/4WM J 220	
	R210	GJ250032222199	CARBON RESISTOR	1/4WM J 2.2K			R357	GJ250031032199	CARBON RESISTOR	1/4WM J 10K	
	R211	GJ250031032199	CARBON RESISTOR	1/4WM J 10K			R358	GJ250031042199	CARBON RESISTOR	1/4WM J 100K	
	R212	GJ250035622199	CARBON RESISTOR	1/4WM J 5.6K			R359	GJ250034712199	CARBON RESISTOR	1/4WM J 470	
	R213	GJ250031032199	CARBON RESISTOR	1/4WM J 10K			R361	GJ250032232199	CARBON RESISTOR	1/4WM J 22K	
	R214	GJ250031022199	CARBON RESISTOR	1/4WM J 1K		△	R362	GJ254051091999	UNF RESISTOR	1/4W J1 OHM T=K	

## ■ Electrical parts list (Main board)

Block No. 01

△	Item	Parts number	Parts name	Remarks	Area	△	Item	Parts number	Parts name	Remarks	Area
	R363	GJ250032712199	CARBON RESISTOR	1/4WM J 270K			R55	GJ250034722199	CARBON RESISTOR	1/4WM J 4.7K	
	R365	GJ250033322199	CARBON RESISTOR	1/4WM J 3.3K			R56	GJ250032222199	CARBON RESISTOR	1/4WM J 2.2K	
	R366	GJ250036822199	CARBON RESISTOR	1/4WM J 6.8K			R59	GJ250031032199	CARBON RESISTOR	1/4WM J 10K	
	R367	GJ250031032199	CARBON RESISTOR	1/4WM J 10K			R6	GJ250034732199	CARBON RESISTOR	1/4WM J 47K	
	R368	GJ250034732199	CARBON RESISTOR	1/4WM J 47K			R60	GJ250031022199	CARBON RESISTOR	1/4WM J 1K	
	R369	GJ250034732199	CARBON RESISTOR	1/4WM J 47K			R601	GJ25003332199	CARBON RESISTOR	1/4WM J 33K	
	R370	GJ250031022199	CARBON RESISTOR	1/4WM J 1K			R602	GJ250034732199	CARBON RESISTOR	1/4WM J 47K	
	R371	GJ250032232199	CARBON RESISTOR	1/4WM J 22K			R603	GJ250034732199	CARBON RESISTOR	1/4WM J 47K	
	R372	GJ250032232199	CARBON RESISTOR	1/4WM J 22K			R604	GJ250034732199	CARBON RESISTOR	1/4WM J 47K	
	R373	GJ250032222199	CARBON RESISTOR	1/4WM J 2.2K			R605	GJ250034732199	CARBON RESISTOR	1/4WM J 47K	
	R374	GJ250032232199	CARBON RESISTOR	1/4WM J 22K			R606	GJ25003332199	CARBON RESISTOR	1/4WM J 33K	
	R379	GJ250031042199	CARBON RESISTOR	1/4WM J 100K			R607	GJ250038222199	CARBON RESISTOR	1/4WM J 8.2K	
	R380	GJ250031032199	CARBON RESISTOR	1/4WM J 10K			R608	GJ250038222199	CARBON RESISTOR	1/4WM J 8.2K	
	R381	GJ250032212199	CARBON RESISTOR	1/4WM J 220			R609	GJ250038222199	CARBON RESISTOR	1/4WM J 8.2K	
	R382	GJ250031022199	CARBON RESISTOR	1/4WM J 1K			R61	GJ250031022199	CARBON RESISTOR	1/4WM J 1K	
	R383	GJ250031032199	CARBON RESISTOR	1/4WM J 10K			R610	GJ250038222199	CARBON RESISTOR	1/4WM J 8.2K	
	R384	GJ250032232199	CARBON RESISTOR	1/4WM J 22K			R612	GJ250031022199	CARBON RESISTOR	1/4WM J 1K	
	R385	GJ250034732199	CARBON RESISTOR	1/4WM J 47K			R613	GJ250032232199	CARBON RESISTOR	1/4WM J 22K	
	R386	GJ250034732199	CARBON RESISTOR	1/4WM J 47K			R614	GJ250032222199	CARBON RESISTOR	1/4WM J 2.2K	
	R387	GJ250034732199	CARBON RESISTOR	1/4WM J 47K			R615	GJ250032212199	CARBON RESISTOR	1/4WM J 220	
	R4	GJ250031042199	CARBON RESISTOR	1/4WM J 100K			R616	GJ250034732199	CARBON RESISTOR	1/4WM J 47K	
	R401	GJ250031042199	CARBON RESISTOR	1/4WM J 100K			R617	GJ250038232199	CARBON RESISTOR	1/4WM J 82K	
	R402	GJ250036822199	CARBON RESISTOR	1/4WM J 6.8K			R618	GJ250031022199	CARBON RESISTOR	1/4WM J 1K	
	R403	GJ250039122199	CARBON RESISTOR	1/4WM J 9.1K			R619	GJ250039102199	CARBON RESISTOR	1/4WM J 91	
	R404	GJ250031012199	CARBON RESISTOR	1/4WM J 100			R62	GJ250031022199	CARBON RESISTOR	1/4WM J 1K	
	R405	GJ250031032199	CARBON RESISTOR	1/4WM J 10K			R621	GJ250031002199	CARBON RESISTOR	1/4WM J 10	
	R406	GJ250036822199	CARBON RESISTOR	1/4WM J 6.8K			R622	GJ250031032199	CARBON RESISTOR	1/4WM J 10K	
	R407	GJ250036832199	CARBON RESISTOR	1/4WM J 68K			R623	GJ250033322199	CARBON RESISTOR	1/4WM J 3.3K	
	R409	GJ250031542199	CARBON RESISTOR	1/4WM J 150K			R624	GJ250033322199	CARBON RESISTOR	1/4WM J 3.3K	
	R410	GJ250031222199	CARBON RESISTOR	1/4WM J 1.2K			R625	GJ250033322199	CARBON RESISTOR	1/4WM J 3.3K	
	R412	GJ250031822199	CARBON RESISTOR	1/4WM J 1.8K			R626	GJ250033322199	CARBON RESISTOR	1/4WM J 3.3K	
	R413	GJ250032232199	CARBON RESISTOR	1/4WM J 22K			R627	GJ250031032199	CARBON RESISTOR	1/4WM J 10K	
	R414	GJ250034722199	CARBON RESISTOR	1/4WM J 4.7K			R628	GJ250033322199	CARBON RESISTOR	1/4WM J 3.3K	
	R415	GJ250031032199	CARBON RESISTOR	1/4WM J 10K			R629	GJ250031022199	CARBON RESISTOR	1/4WM J 1K	
	R416	GJ250036822199	CARBON RESISTOR	1/4WM J 6.8K			R63	GJ250031022199	CARBON RESISTOR	1/4WM J 1K	
	R417	GJ250032232199	CARBON RESISTOR	1/4WM J 22K			R631	GJ250031532199	CARBON RESISTOR	1/4WM J 15K	
	R418	GJ250032222199	CARBON RESISTOR	1/4WM J 2.2K			R632	GJ250031042199	CARBON RESISTOR	1/4WM J 100K	
	R421	GJ250031022199	CARBON RESISTOR	1/4WM J 1K			R633	GJ250036832199	CARBON RESISTOR	1/4WM J 68K	
	R422	GJ250031022199	CARBON RESISTOR	1/4WM J 1K			R634	GJ250031032199	CARBON RESISTOR	1/4WM J 10K	
	R423	GJ250032222199	CARBON RESISTOR	1/4WM J 2.2K			R635	GJ250034732199	CARBON RESISTOR	1/4WM J 47K	
	R5	GJ250031042199	CARBON RESISTOR	1/4WM J 100K			R637	GJ250033322199	CARBON RESISTOR	1/4WM J 3.3K	
	R501	GJ250031042199	CARBON RESISTOR	1/4WM J 100K			R638	GJ250033322199	CARBON RESISTOR	1/4WM J 3.3K	
	R502	GJ250036822199	CARBON RESISTOR	1/4WM J 6.8K			R639	GJ250031042199	CARBON RESISTOR	1/4WM J 100K	
	R503	GJ250039122199	CARBON RESISTOR	1/4WM J 9.1K			R64	GJ250031022199	CARBON RESISTOR	1/4WM J 1K	
	R504	GJ250031012199	CARBON RESISTOR	1/4WM J 100			R640	GJ250031022199	CARBON RESISTOR	1/4WM J 1K	
	R505	GJ250031032199	CARBON RESISTOR	1/4WM J 10K			R641	GJ250032222199	CARBON RESISTOR	1/4WM J 2.2K	
	R506	GJ250036822199	CARBON RESISTOR	1/4WM J 6.8K			R642	GJ250031812199	CARBON RESISTOR	1/4WM J 180	
	R507	GJ250036832199	CARBON RESISTOR	1/4WM J 68K			R643	GJ250031042199	CARBON RESISTOR	1/4WM J 100K	
	R509	GJ250031542199	CARBON RESISTOR	1/4WM J 150K			R644	GJ250034722199	CARBON RESISTOR	1/4WM J 4.7K	
	R510	GJ250031222199	CARBON RESISTOR	1/4WM J 1.2K			R645	GJ250031012199	CARBON RESISTOR	1/4WM J 100	
	R512	GJ250031822199	CARBON RESISTOR	1/4WM J 1.8K			R646	GJ250031022199	CARBON RESISTOR	1/4WM J 2.2K	
	R513	GJ250032232199	CARBON RESISTOR	1/4WM J 22K			R647	GJ250031042199	CARBON RESISTOR	1/4WM J 100K	
	R514	GJ250034722199	CARBON RESISTOR	1/4WM J 4.7K			R648	GJ250031022199	CARBON RESISTOR	1/4WM J 1K	
	R515	GJ250031032199	CARBON RESISTOR	1/4WM J 10K			R649	GJ250032222199	CARBON RESISTOR	1/4WM J 2.2K	
	R516	GJ250036822199	CARBON RESISTOR	1/4WM J 6.8K			R65	GJ250031022199	CARBON RESISTOR	1/4WM J 1K	
	R517	GJ250032232199	CARBON RESISTOR	1/4WM J 22K			R650	GJ250031522199	CARBON RESISTOR	1/4WM J 1.5K	
	R518	GJ250032222199	CARBON RESISTOR	1/4WM J 2.2K			R651	GJ250031042199	CARBON RESISTOR	1/4WM J 100K	
	R52	GJ250034722199	CARBON RESISTOR	1/4WM J 4.7K			R652	GJ250031032199	CARBON RESISTOR	1/4WM J 10K	
	R521	GJ250031022199	CARBON RESISTOR	1/4WM J 1K			R653	GJ250031032199	CARBON RESISTOR	1/4WM J 10K	
	R522	GJ250031022199	CARBON RESISTOR	1/4WM J 1K			R654	GJ250031032199	CARBON RESISTOR	1/4WM J 10K	
	R523	GJ250032222199	CARBON RESISTOR	1/4WM J 2.2K			R655	GJ250031032199	CARBON RESISTOR	1/4WM J 10K	
	R53	GJ250033322199	CARBON RESISTOR	1/4WM J 3.3K			R656	GJ250031032199	CARBON RESISTOR	1/4WM J 10K	
	R54	GJ250031822199	CARBON RESISTOR	1/4WM J 1.8K			R657	GJ250031032199	CARBON RESISTOR	1/4WM J 10K	

## ■ Electrical parts list (Main board)

Block No. 01

△	Item	Parts number	Parts name	Remarks	Area
	R658	GJ250031042199	CARBON RESISTOR	1/4WM J 100K	
	R660	GJ250034722199	CARBON RESISTOR	1/4WM J 4.7K	
	R661	GJ250034722199	CARBON RESISTOR	1/4WM J 4.7K	
	R662	GJ250034722199	CARBON RESISTOR	1/4WM J 4.7K	
	R663	GJ250034722199	CARBON RESISTOR	1/4WM J 4.7K	
	R664	GJ250034722199	CARBON RESISTOR	1/4WM J 4.7K	
	R666	GJ250034722199	CARBON RESISTOR	1/4WM J 4.7K	
	R667	GJ250034722199	CARBON RESISTOR	1/4WM J 4.7K	
	R668	GJ250034722199	CARBON RESISTOR	1/4WM J 4.7K	
	R669	GJ250034722199	CARBON RESISTOR	1/4WM J 4.7K	
	R67	GJ250034732199	CARBON RESISTOR	1/4WM J 47K	
	R670	GJ250034722199	CARBON RESISTOR	1/4WM J 4.7K	
	R671	GJ250034722199	CARBON RESISTOR	1/4WM J 4.7K	
	R68	GJ250034732199	CARBON RESISTOR	1/4WM J 47K	
	R69	GJ250034732199	CARBON RESISTOR	1/4WM J 47K	
	R7	GJ250034732199	CARBON RESISTOR	1/4WM J 47K	
	R71	GJ250033322199	CARBON RESISTOR	1/4WM J 3.3K	
	R72	GJ250031042199	CARBON RESISTOR	1/4WM J 100K	
	R73	GJ250031022199	CARBON RESISTOR	1/4WM J 1K	
△	R74	GJ25053301611	FUSIBLE RESISTO	1/4W J 33 OHM B	
	R75	GJ250032202199	CARBON RESISTOR	1/4WM J 22	
	R77	GJ250034732199	CARBON RESISTOR	1/4WM J 47K	
	R78	GJ250034732199	CARBON RESISTOR	1/4WM J 47K	
	R79	GJ250034732199	CARBON RESISTOR	1/4WM J 47K	
	R8	GJ250031002199	CARBON RESISTOR	1/4WM J 10	
	R840	GJ250034722199	CARBON RESISTOR	1/6W J 4.7K	
	R851	GJ250032232199	CARBON RESISTOR	1/6W J 22K	
	R852	GJ250038222199	CARBON RESISTOR	1/6W J 8.2K	
	R853	GJ250031032199	CARBON RESISTOR	1/6W J 10K	
	R855	GJ250033932199	CARBON RESISTOR	1/6W J 39K	
	R856	GJ250038232199	CARBON RESISTOR	1/6W J 82K	
	R857	GJ250033332199	CARBON RESISTOR	1/6W J 33K	
	R858	GJ250031032199	CARBON RESISTOR	1/6W J 10K	
	R859	GJ250034722199	CARBON RESISTOR	1/6W J 4.7K	
	R860	GJ250031532199	CARBON RESISTOR	1/6W J 15K	
	R861	GJ250034712199	CARBON RESISTOR	1/6W J 470	
	R862	GJ250031022199	CARBON RESISTOR	1/6W J 1K	
	R863	GJ250034722199	CARBON RESISTOR	1/6W J 4.7K	
	R864	GJ250034702199	CARBON RESISTOR	1/6W J 47	
	R865	GJ250032732199	CARBON RESISTOR	1/6W J 27K	
	R866	GJ250033912199	CARBON RESISTOR	1/6W J 390	
	R867	GJ250031522199	CARBON RESISTOR	1/6W J 1.5K	
	R868	GJ250034752199	CARBON RESISTOR	1/6W J 4.7M	
	R869	GJ250035612199	CARBON RESISTOR	1/6W J 560	
	R870	GJ250034722199	CARBON RESISTOR	1/6W J 4.7K	
	R871	GJ250034722199	CARBON RESISTOR	1/6W J 4.7K	
	R872	GJ250032212199	CARBON RESISTOR	1/6W J 220	
	R873	GJ250031232199	CARBON RESISTOR	1/6W J 12K	
	R874	GJ250031032199	CARBON RESISTOR	1/6W J 10K	
	R875	GJ250032232199	CARBON RESISTOR	1/6W J 22K	
	R876	GJ250034732199	CARBON RESISTOR	1/6W J 47K	
	R878	GJ250031042199	CARBON RESISTOR	1/6W J 100K	
	R879	GJ250034722199	CARBON RESISTOR	1/6W J 4.7K	
	R880	GJ250032232199	CARBON RESISTOR	1/6W J 22K	
	R881	GJ250032222199	CARBON RESISTOR	1/6W J 2.2K	
	R882	GJ250031232199	CARBON RESISTOR	1/6W J 12K	
	R9	GJ250031032199	CARBON RESISTOR	1/4WM J 10K	
	SW701	GJ390070031204	D. SWING SWITCH	R8130178 (TRAY	
	SW703	GJ390170021204	DETECTOR SWITCH	120688(DISCCOUN	
	SW704	GJ390170021204	DETECTOR SWITCH	120688(TABLE)	
	TAB	GJ727400140301	SOLDERING TAP	M4X14X0.3MM	
	T1	GJ321000720109	IFT	7MM BLACK PCFAZ	
	VR840	GJ299000510003	VARIAVL RESISTO	10K-A (EVU E27F	

△	Item	Parts number	Parts name	Remarks	Area
	WK307	GJ354005940100	WIRE KIT,	3PIN L=420MM(CN	
	WK308	GJ354005950100	WIRE KIT,	8PIN L=580MM (C	
	W603	GJ354005930100	CONN.WIRE ASSY	TO CN603	
	W606A	GJ348202030102	HOLDER, CABLE	3P	
	W606B	GJ353030180107	CABLE,	3PIN(PICKUPSWI	
	W607A	GJ348202030102	HOLDER, CABLE	2P	
	W607B	GJ353020120207	FLAT CABLE,	2PINS (TO DISC	
	W608	GJ354005380100	WIRE KIT,	2PINS TO TABLE	
	X1	GJ361000010000	CRYSTAL	7.2MHZ +/-20PPM	
	X601	GJ361000400009	CRYSTAL	16.9344MHZ HC49	

## ■ Electrical parts list (Front board)

Block No. 02

△	Item	Parts number	Parts name	Remarks	Area	△	Item	Parts number	Parts name	Remarks	Area
	CF953	GJ753020010000	FUSE HOLER	QTY 2			RA701	GJ250034732199	CARBON RESISTOR	1/4WM J 47K	
	CN701	GJ340021110102	CONNECTOR	P=1.25MM RA 11P			RA702	GJ250034732199	CARBON RESISTOR	1/4WM J 47K	
	CN702	GJ340021220109	CONNECTOR	P=1.25MM RA 22P			RA703	GJ250034732199	CARBON RESISTOR	1/4WM J 47K	
	CN703	GJ340021220109	CONNECTOR	P=1.25MM RA 22P			RA704	GJ250034732199	CARBON RESISTOR	1/4WM J 47K	
	C1001	GJ270114760399	E.CAPACITOR	10V M 47UF 5X11			RA705	GJ250034732199	CARBON RESISTOR	1/4WM J 47K	
	C1002	GJ264141022199	C.CAPACITOR	50V B K 1000PF			RA706	GJ250034732199	CARBON RESISTOR	1/4WM J 47K	
	C1003	GJ264271032199	C.CAPACITOR	16V Y M 0.01UF			RA707	GJ250034732199	CARBON RESISTOR	1/4WM J 47K	
	C1004	GJ264271032199	C.CAPACITOR	16V Y M 0.01UF			RA708	GJ250034732199	CARBON RESISTOR	1/4WM J 47K	
	C1051	GJ264141022199	C.CAPACITOR	50V B K 1000PF			RA709	GJ250034732199	CARBON RESISTOR	1/4WM J 47K	
	C1052	GJ264141022199	C.CAPACITOR	50V B K 1000PF			RA710	GJ250034732199	CARBON RESISTOR	1/4WM J 47K	
	C701	GJ264291042101	C.CAPACITOR	0.1MF FF 50V			RA711	GJ250034732199	CARBON RESISTOR	1/4WM J 47K	
	C702	GJ270112270399	E.CAPACITOR	10V VX M 220UF			RA712	GJ250034732199	CARBON RESISTOR	1/4WM J 47K	
	C703	GJ270114770399	E.CAPACITOR	10V VX M 470UF			RA713	GJ250034732199	CARBON RESISTOR	1/4WM J 47K	
	C704	GJ264271032199	C.CAPACITOR	16V Y M 0.01UF			RA714	GJ250034732199	CARBON RESISTOR	1/4WM J 47K	
	C705	GJ264271032199	C.CAPACITOR	16V Y M 0.01UF			RA715	GJ250034732199	CARBON RESISTOR	1/4WM J 47K	
	C706	GJ264291042101	C.CAPACITOR	0.1MF FF 50V			RA716	GJ250034732199	CARBON RESISTOR	1/4WM J 47K	
	C707	GJ264032202199	C.CAPACITOR	50V SL J 22PF			RA717	GJ250034732199	CARBON RESISTOR	1/4WM J 47K	
	C708	GJ264032202199	C.CAPACITOR	50V SL J 22PF			RA718	GJ250034732199	CARBON RESISTOR	1/4WM J 47K	
	C709	GJ264033302199	C.CAPACITOR	50V SL J 33PF			RA719	GJ250034732199	CARBON RESISTOR	1/4WM J 47K	
	C710	GJ264033302199	C.CAPACITOR	50V SL J 33PF			RA720	GJ250034732199	CARBON RESISTOR	1/4WM J 47K	
	C711	GJ264033302199	C.CAPACITOR	50V SL J 33PF			RA721	GJ250034732199	CARBON RESISTOR	1/4WM J 47K	
	C712	GJ264033302199	C.CAPACITOR	50V SL J 33PF			RA722	GJ250034732199	CARBON RESISTOR	1/4WM J 47K	
	C713	GJ264141022199	C.CAPACITOR	50V B K 1000PF			RA723	GJ250034732199	CARBON RESISTOR	1/4WM J 47K	
	C714	GJ264141022199	C.CAPACITOR	50V B K 1000PF			RA724	GJ250034732199	CARBON RESISTOR	1/4WM J 47K	
	C715	GJ264271032199	C.CAPACITOR	16V Y M 0.01UF			RA725	GJ250034732199	CARBON RESISTOR	1/4WM J 47K	
	C716	GJ270191050399	E.CAPACITOR	50V VX M 1UF 5X			RA726	GJ250034732199	CARBON RESISTOR	1/4WM J 47K	
	C717	GJ264141512199	C.CAPACITOR	50V B K 150PF			RA727	GJ250034732199	CARBON RESISTOR	1/4WM J 47K	
	C718	GJ270192260399	E.CAPACITOR	50V M 22UF 5X11			RA728	GJ250034732199	CARBON RESISTOR	1/4WM J 47K	
	C719	GJ270192260399	E.CAPACITOR	50V M 22UF 5X11			RA729	GJ250034732199	CARBON RESISTOR	1/4WM J 47K	
	C720	GJ264291042101	C.CAPACITOR	0.1MF FF 50V			R1001	GJ250036812199	CARBON RESISTOR	1/4WM J 680	
	C721	GJ264271032199	C.CAPACITOR	16V Y M 0.01UF			R1002	GJ250035612199	CARBON RESISTOR	1/4WM J 560	
	C722	GJ264271032199	C.CAPACITOR	16V Y M 0.01UF			R1003	GJ250036812199	CARBON RESISTOR	1/4WM J 680	
	D701	GJ310010220205	DIODE	1SS133T77			R1004	GJ250038212199	CARBON RESISTOR	1/4WM J 820	
	D702	GJ310010220205	DIODE	1SS133T77			R1005	GJ250031222199	CARBON RESISTOR	1/4WM J 1.2K	
	D703	GJ310010220205	DIODE	1SS133T77			R1006	GJ250031222199	CARBON RESISTOR	1/4WM J 1.2K	
	D704	GJ310010220205	DIODE	1SS133T77			R1007	GJ250031822199	CARBON RESISTOR	1/4WM J 1.8K	
	D705	GJ310010220205	DIODE	1SS133T77			R1008	GJ250032722199	CARBON RESISTOR	1/4WM J 2.7K	
	FF701	GJ353110270107	FFC CABLE	L=270MM 11PIN (			R1009	GJ250033922199	CARBON RESISTOR	1/4WM J 3.9K	
	FF702	GJ353220180107	FFC CABLE	L=180MM 22PIN			R1010	GJ250036812199	CARBON RESISTOR	1/4WM J 680	
	FF703	GJ353220180107	FFC CABLE	L=180MM P=1.25			R1011	GJ250035612199	CARBON RESISTOR	1/4WM J 560	
	FL701	GJ373020041000	DISPLAY FL	FL BJ828GNK			R1012	GJ250036812199	CARBON RESISTOR	1/4WM J 680	
	FW151	GJ353040370107	CABLE, FLAT	4PIN P=2.5 L=3			R1013	GJ250038212199	CARBON RESISTOR	1/4WM J 820	
	FW701	GJ353090200207	CABLE FLAT	P=2.54 9PIN 20			R1014	GJ250031222199	CARBON RESISTOR	1/4WM J 1.2K	
	FW702	GJ353020100107	CABLE FLAT	P=2.54 2PINS 1			R1015	GJ250031222199	CARBON RESISTOR	1/4WM J 1.2K	
△	F953	GJ369000700009	FUSE	1.25A 250V			R1016	GJ250031822199	CARBON RESISTOR	1/4WM J 1.8K	
	IC701	GJ313081031201	IC	TMP87CM78XXXX			R1017	GJ250032722199	CARBON RESISTOR	1/4WM J 2.7K	
	IC702	GJ313040901006	IC	SPS4401E(IR SEN			R1018	GJ250033922199	CARBON RESISTOR	1/4WM J 3.9K	
	IC703	GJ313081041822	IC	S80719AL OR			R1019	GJ250036822199	CARBON RESISTOR	1/4WM J 6.8K	
	J1053	GJ342010240113	JACK,	H/P D=3.5MM BLA			R1020	GJ250036812199	CARBON RESISTOR	1/4WM J 680	
	LED01	GJ871998985	LED	SLR342VR3FM.N (			R1021	GJ250035612199	CARBON RESISTOR	1/4WM J 560	
	L1051	GJ241114702102	INDUCTOR	47UH 10% Q40			R1022	GJ250036812199	CARBON RESISTOR	1/4WM J 680	
	L1052	GJ241114702102	INDUCTOR	47UH 10% Q40			R1023	GJ250038212199	CARBON RESISTOR	1/4WM J 820	
	L1053	GJ371010100005	FERRITE, BEAD	LGK0305TBA			R1024	GJ250031222199	CARBON RESISTOR	1/4WM J 1.2K	
	L701	GJ241111002102	INDUCTOR	10UH 5% Q40			R1025	GJ250031222199	CARBON RESISTOR	1/4WM J 1.2K	
	L702	GJ241111002102	INDUCTOR	10UH 5% Q40			R1026	GJ250031822199	CARBON RESISTOR	1/4WM J 1.8K	
	L703	GJ371010100005	FERRITE, BEAD	LGK0305TBA			R1027	GJ250032722199	CARBON RESISTOR	1/4WM J 2.7K	
	Q701	GJ312011211210	TRANSISTOR	KRC107MAT			R1028	GJ250033922199	CARBON RESISTOR	1/4WM J 3.9K	
	Q702	GJ312011191210	TRANSISTOR	KRA107M			R1029	GJ250036822199	CARBON RESISTOR	1/4WM J 6.8K	
	Q703	GJ312011191210	TRANSISTOR	KRA107M			R1030	GJ250031232199	CARBON RESISTOR	1/4WM J 12K	
	Q704	GJ312030152210	TRANSISTOR	KTC3195(Y) (TAP			R1031	GJ250033912199	CARBON RESISTOR	1/4WM J 390	
	Q705	GJ312030152210	TRANSISTOR	KTC3195(Y) (TAP			R702	GJ250034732199	CARBON RESISTOR	1/4WM J 47K	
	Q706	GJ312010331203	TRANSISTOR	DTC114YSTP			R704	GJ250034732199	CARBON RESISTOR	1/4WM J 47K	
	Q707	GJ312010331203	TRANSISTOR	DTC114YSTP			R705	GJ250031022199	CARBON RESISTOR	1/4WM J 1K	

## ■ Electrical parts list (Front board)

Block No. 02

△	Item	Parts number	Parts name	Remarks	Area
	R706	GJ250034732199	CARBON RESISTOR	1/4WM J 47K	
	R707	GJ250031022199	CARBON RESISTOR	1/4WM J 1K	
	R708	GJ250034732199	CARBON RESISTOR	1/4WM J 47K	
	R709	GJ250031022199	CARBON RESISTOR	1/4WM J 1K	
	R710	GJ250034732199	CARBON RESISTOR	1/4WM J 47K	
	R711	GJ250031022199	CARBON RESISTOR	1/4WM J 1K	
	R712	GJ250034732199	CARBON RESISTOR	1/4WM J 47K	
	R713	GJ250031022199	CARBON RESISTOR	1/4WM J 1K	
	R714	GJ250034732199	CARBON RESISTOR	1/4WM J 47K	
	R715	GJ250032222199	CARBON RESISTOR	1/4WM J 2.2K	
	R716	GJ250032222199	CARBON RESISTOR	1/4WM J 2.2K	
	R717	GJ250032222199	CARBON RESISTOR	1/4WM J 2.2K	
	R718	GJ250032222199	CARBON RESISTOR	1/4WM J 2.2K	
	R719	GJ250032222199	CARBON RESISTOR	1/4WM J 2.2K	
	R720	GJ250032222199	CARBON RESISTOR	1/4WM J 2.2K	
	R721	GJ250032222199	CARBON RESISTOR	1/4WM J 2.2K	
	R722	GJ250032222199	CARBON RESISTOR	1/4WM J 2.2K	
	R723	GJ250031022199	CARBON RESISTOR	1/4WM J 1K	
	R724	GJ250034732199	CARBON RESISTOR	1/4WM J 47K	
	R725	GJ250031022199	CARBON RESISTOR	1/4WM J 1K	
	R726	GJ250034732199	CARBON RESISTOR	1/4WM J 47K	
	R727	GJ250031022199	CARBON RESISTOR	1/4WM J 1K	
	R728	GJ250034732199	CARBON RESISTOR	1/4WM J 47K	
	R729	GJ250031022199	CARBON RESISTOR	1/4WM J 1K	
	R730	GJ250034732199	CARBON RESISTOR	1/4WM J 47K	
	R731	GJ250031022199	CARBON RESISTOR	1/4WM J 1K	
	R732	GJ250031032199	CARBON RESISTOR	1/4WM J 10K	
	R733	GJ250033312199	CARBON RESISTOR	1/4WM J 330	
	R734	GJ250031022199	CARBON RESISTOR	1/4WM J 1K	
	R735	GJ250031022199	CARBON RESISTOR	1/4WM J 1K	
	R736	GJ250031022199	CARBON RESISTOR	1/4WM J 1K	
	R737	GJ250031022199	CARBON RESISTOR	1/4WM J 1K	
	R738	GJ250032212199	CARBON RESISTOR	1/4WM J 220	
	R739	GJ250032212199	CARBON RESISTOR	1/4WM J 220	
	R740	GJ250032212199	CARBON RESISTOR	1/4WM J 220	
	R741	GJ250032222199	CARBON RESISTOR	1/4WM J 2.2K	
	R742	GJ250032212199	CARBON RESISTOR	1/4WM J 220	
	R743	GJ250032212199	CARBON RESISTOR	1/4WM J 220	
	R745	GJ250032212199	CARBON RESISTOR	1/4WM J 220	
	R746	GJ250031022199	CARBON RESISTOR	1/4WM J 1K	
	R747	GJ250032222199	CARBON RESISTOR	1/4WM J 2.2K	
	R748	GJ250032222199	CARBON RESISTOR	1/4WM J 2.2K	
	R749	GJ250032222199	CARBON RESISTOR	1/4WM J 2.2K	
	R750	GJ250035622199	CARBON RESISTOR	1/4WM J 5.6K	
	R751	GJ250035622199	CARBON RESISTOR	1/4WM J 5.6K	
	R752	GJ250035622199	CARBON RESISTOR	1/4WM J 5.6K	
	R753	GJ250032222199	CARBON RESISTOR	1/4WM J 2.2K	
	R754	GJ250032222199	CARBON RESISTOR	1/4WM J 2.2K	
	R755	GJ250032222199	CARBON RESISTOR	1/4WM J 2.2K	
	R756	GJ250032212199	CARBON RESISTOR	1/4WM J 220	
	R757	GJ250035632199	CARBON RESISTOR	1/4WM J 56K	
	R758	GJ250034732199	CARBON RESISTOR	1/4WM J 47K	
	R759	GJ250031232199	CARBON RESISTOR	1/4WM J 12K	
	R760	GJ250035632199	CARBON RESISTOR	1/4WM J 56K	
	R761	GJ250032222199	CARBON RESISTOR	1/4WM J 2.2K	
	R762	GJ250032212199	CARBON RESISTOR	1/4WM J 220	
	R763	GJ250032222199	CARBON RESISTOR	1/4WM J 2.2K	
	R764	GJ250032222199	CARBON RESISTOR	1/4WM J 2.2K	
	R765	GJ250032222199	CARBON RESISTOR	1/4WM J 2.2K	
	R766	GJ250032212199	CARBON RESISTOR	1/4WM J 220	
	R767	GJ250032222199	CARBON RESISTOR	1/4WM J 2.2K	
	R768	GJ250031042199	CARBON RESISTOR	1/4WM J 100K	
	R769	GJ250031022199	CARBON RESISTOR	1/4WM J 1K	

△	Item	Parts number	Parts name	Remarks	Area
	R770	GJ250031022199	CARBON RESISTOR	1/4WM J 1K	
	R771	GJ250031022199	CARBON RESISTOR	1/4WM J 1K	
	R772	GJ250031022199	CARBON RESISTOR	1/4WM J 1K	
	R773	GJ250031022199	CARBON RESISTOR	1/4WM J 1K	
	R774	GJ250031022199	CARBON RESISTOR	1/4WM J 1K	
	R775	GJ250031022199	CARBON RESISTOR	1/4WM J 1K	
	R776	GJ250031022199	CARBON RESISTOR	1/4WM J 1K	
	R777	GJ250031022199	CARBON RESISTOR	1/4WM J 1K	
	R778	GJ250032212199	CARBON RESISTOR	1/4WM J 220	
	R779	GJ250032212199	CARBON RESISTOR	1/4WM J 220	
	R780	GJ250032222199	CARBON RESISTOR	1/4WM J 2.2K	
	R781	GJ250032222199	CARBON RESISTOR	1/4WM J 2.2K	
	R782	GJ250031032199	CARBON RESISTOR	1/4WM J 10K	
	R783	GJ250034722199	CARBON RESISTOR	1/4WM J 4.7K	
	R784	GJ250031242199	CARBON RESISTOR	1/4WM J 120K	
	R785	GJ250032232199	CARBON RESISTOR	1/4WM J 22K	
	R786	GJ250031242199	CARBON RESISTOR	1/4WM J 120K	
	R787	GJ250032232199	CARBON RESISTOR	1/4WM J 22K	
	R789	GJ250033312199	CARBON RESISTOR	1/4WM J 330	
	R790	GJ250032292199	CARBON RESISTOR	1/4WM J 2.2	
	R791	GJ250032292199	CARBON RESISTOR	1/4WM J 2.2	
	R792	GJ250031032199	CARBON RESISTOR	1/4WM J 10K	
	R793	GJ250031032199	CARBON RESISTOR	1/4WM J 10K	
	R794	GJ250031022199	CARBON RESISTOR	1/4WM J 1K	
	R795	GJ250034722199	CARBON RESISTOR	1/4WM J 4.7K	
	SW001	GJ299000570003	ENCODER	VR EVEKD2F3024B	
	S1001	GJ390110181120	TACT SWITCH	(POWER)	
	S1002	GJ390110181120	TACT SWITCH	(TAPE)	
	S1003	GJ390110181120	TACT SWITCH	(AUX)	
	S1004	GJ390110181120	TACT SWITCH	(BAND)	
	S1005	GJ390110181120	TACT SWITCH	(ROCK)	
	S1006	GJ390110181120	TACT SWITCH	(CLASSIC)	
	S1007	GJ390110181120	TACT SWITCH	(POP)	
	S1008	GJ390110181120	TACT SWITCH	(CANCEL)	
	S1009	GJ390110181120	TACT SWITCH	(SET)	
	S1010	GJ390110181120	TACT SWITCH	(A.BASS)	
	S1011	GJ390110181120	TACT SWITCH	(CD)	
	S1012	GJ390110181120	TACT SWITCH	(CD1)	
	S1013	GJ390110181120	TACT SWITCH	(CD2)	
	S1014	GJ390110181120	TACT SWITCH	(CD3)	
	S1015	GJ390110181120	TACT SWITCH	(EJECT)	
	S1016	GJ390110181120	TACT SWITCH	(DISC)	
	S1017	GJ390110181120	TACT SWITCH	(REC)	
	S1018	GJ390110181120	TACT SWITCH	(DUBBING)	
	S1019	GJ390110181120	TACT SWITCH	(A/B)	
	S1020	GJ390110181120	TACT SWITCH	(TIM/CLK)	
	S1021	GJ390110181120	TACT SWITCH	(RETURN)	
	S1022	GJ390110181120	TACT SWITCH	(STOP)	
	S1023	GJ390110181120	TACT SWITCH	(TUN)	
	S1024	GJ390110181120	TACT SWITCH	(TUN+)	
	S1025	GJ390110181120	TACT SWITCH	(PRESET)	
	S1026	GJ390110181120	TACT SWITCH	(PRESET+)	
	S1027	GJ390110181120	TACT SWITCH	(CD REC)	
	S1028	GJ390110181120	TACT SWITCH	(REPEAT)	
	S1029	GJ390110181120	TACT SWITCH	(PROGRAM)	
	S1030	GJ390110181120	TACT SWITCH	(RANDOM)	
	S1031	GJ390110181120	TACT SWITCH	(PBC)	
	S1032	GJ390110181120	TACT SWITCH	(KEY+)	
	S1033	GJ390110181120	TACT SWITCH	(KEY)	
	X701	GJ362000370001	CER. RESONATOR	CSA8.00MTZ 200	
	X702	GJ361000230009	CRYSTAL	32.768KHZ (KDS)	



## ■ Electrical parts list (Power amp board)

Block No. 03

△	Item	Parts number	Parts name	Remarks	Area	△	Item	Parts number	Parts name	Remarks	Area
	C-FW	GJ340072030102	CONNECTOR	WIRE TRAP 3PIN			D910	GJ310030011105	ZENER DIODE	MTZJ-T-77-6.2A	
	CN901	GJ340022110102	CONNECTOR	11PIN(ITO CTL BD			D911	GJ310030010805	DIODE	MTZJ-T-77-5.6C	
	CN902	GJ340072040102	CONNECTOR	CN902A 4PIN (T			D912	GJ310030133305	ZENER DIODE	MTZJ-T-77-12C	
	CN902	GJ340072030102	CONN.TERMINAL	CN902C 3PIN			D913	GJ310030015805	ZENER DIODE	MTZJ-T-77-11B	
	CN902	GJ340072040102	CONN.TERMINAL	CN902B 4PIN			D914	GJ310010220205	DIODE	1SS133T-77	
	CN903	GJ340072040102	CONNECTOR	WIRE TRAP 4PIN			D915	GJ310030012705	ZENER DIODE	MTZJ-T-77-6.8B	
	CN951	GJ340072050102	CONN.TERMINAL	CN951B 5PIN			D916	GJ310010220205	DIODE	1SS133T-77	
	CN951	GJ340072040102	CONNECTOR	CN951A 4PIN(TO			D917	GJ310010220205	DIODE	1SS133T-77	
	C151	GJ270144750399	E.CAPACITOR	25V VX M 4.7UF			D918	GJ310010220205	DIODE	1SS133T-77	
	C152	GJ264144712199	C.CAPACITOR	50V B K 470PF			D919	GJ310010220205	DIODE	1SS133T-77	
	C153	GJ264142212199	C.CAPACITOR	50V B K 220PF			D920	GJ310010220205	DIODE	1SS133T-77	
	C154	GJ270194760399	E.CAPACITOR	50V VX M 47UF 6			D921	GJ310010220205	DIODE	1SS133T-77	
	C155	GJ264031002199	C.CAPACITOR	50V SL J 10PF			△ IC151	GJ313040571406	IC	STK402-070	
	C156	GJ270191070399	E.CAPACITOR	50V M 100UF 8X1			J901	GJ342020150913	JACK SPEAKER	4PINS RED/BLACK	
	C157	GJ283101042415	M.CAPACITOR	50V K 0.1UF			L151	GJ320080170105	COIL SPRING	10X19.5TX0.8MM	
	C158	GJ283101042415	M.CAPACITOR	50V K 0.1UF			L251	GJ320080170105	COIL SPRING	10X19.5TX0.8MM	
	C251	GJ270144750399	E.CAPACITOR	25V VX M 4.7UF			Q151	GJ312030111210	TRANSISTOR	KTC3199TP-GR	
	C252	GJ264144712199	C.CAPACITOR	50V B K 470PF			Q152	GJ312011231210	TRANSISTOR	KTA1267Y (TAPE)	
	C253	GJ264142212199	C.CAPACITOR	50V B K 220PF			Q153	GJ312030111210	TRANSISTOR	KTC3199TP-GR	
	C254	GJ270194760399	E.CAPACITOR	50V VX M 47UF 6			Q251	GJ312030111210	TRANSISTOR	KTC3199TP-GR	
	C255	GJ264031002199	C.CAPACITOR	50V SL J 10PF			Q252	GJ312011231210	TRANSISTOR	KTA1267Y (TAPE)	
	C256	GJ270191070399	E.CAPACITOR	50V M 100UF 8X1			Q253	GJ312030111210	TRANSISTOR	KTC3199TP-GR	
	C257	GJ283101042415	M.CAPACITOR	50V K 0.1UF			Q901	GJ312011251210	TRANSISTOR	KTA1273Y	
	C258	GJ283101042415	M.CAPACITOR	50V K 0.1UF			Q902	GJ312011211210	TRANSISTOR	KRC107MAT	
	C901	GJ283106832415	M.CAPACITOR	50V K 0.068UF			Q903	GJ312011211210	TRANSISTOR	KRC107MAT	
	C902	GJ283106832415	M.CAPACITOR	50V K 0.068UF			△ Q904	GJ312011471101	TRANSISTOR	2SB1375	
	C903	GJ283106832415	M.CAPACITOR	50V K 0.068UF			Q905	GJ312030111210	TRANSISTOR	KTC3199TP-GR	
	C904	GJ283106832415	M.CAPACITOR	50V K 0.068UF			Q906	GJ312030111210	TRANSISTOR	KTC3199TP-GR	
△	C905	GJ270193380699	E.CAPACITOR	50V SM M 3300UF			△ Q907	GJ312011471101	TRANSISTOR	2SB1375	
△	C906	GJ270193380699	E.CAPACITOR	50V SM M 3300UF			Q908	GJ312011231210	TRANSISTOR	KTA1267Y (TAPE)	
	C907	GJ264291042101	C.CAPACITOR	0.1MF F-F 50V			Q909	GJ312011191210	TRANSISTOR	KRA107M	
	C908	GJ264291042101	C.CAPACITOR	0.1MF F-F 50V			Q910	GJ312011211210	TRANSISTOR	KRC107MAT	
	C909	GJ264291042101	C.CAPACITOR	0.1MF F-F 50V			Q911	GJ312030111210	TRANSISTOR	KTC3199TP-GR	
	C910	GJ264291042101	C.CAPACITOR	0.1MF F-F 50V			Q912	GJ312011211210	TRANSISTOR	KRC107MAT	
△	C911	GJ270144780199	E.CAPACITOR	25V M 4700UF 16			Q913	GJ312030111210	TRANSISTOR	KTC3199TP-GR	
	C912	GJ270304760399	E.CAPACITOR	63V VX M 47UF 8			Q914	GJ312030111210	TRANSISTOR	KTC3199TP-GR	
	C913	GJ270192260399	E.CAPACITOR	50V VX M 22UF 5			Q915	GJ312030111210	TRANSISTOR	KTC3199TP-GR	
	C914	GJ264271032199	C.CAPACITOR	16V Y M 0.01UF			Q916	GJ312030131210	TRANSISTOR	KTC3200 (GR) TA	
	C915	GJ270192260399	E.CAPACITOR	50V VX M 22UF 5			Q917	GJ312011911210	TRANSISTOR	KTA1268(GR) (TA	
	C916	GJ270141060399	E.CAPACITOR	25V VX M 10UF 5			Q918	GJ312011211210	TRANSISTOR	KRC107MAT	
	C917	GJ270192250399	E.CAPACITOR	50V VX M 2.2UF			Q919	GJ312011171210	TRANSISTOR	KRA102MAT	
	C918	GJ264271032199	C.CAPACITOR	16V Y M 0.01UF			Q920	GJ312011171210	TRANSISTOR	KRA102MAT	
	C919	GJ270111070399	E.CAPACITOR	10V VX M 100UF			Q921	GJ312030111210	TRANSISTOR	KTC3199TP-GR	
	C920	GJ264291042101	C.CAPACITOR	0.1MF F-F 50V			Q922	GJ312011211210	TRANSISTOR	KRC107MAT	
	C921	GJ270121070399	E.CAPACITOR	16V VX M 100UF			RY901	GJ391000080002	RELAY	(12V) OSA-SS-2	
	C922	GJ270141060399	E.CAPACITOR	25V VX M 10UF 5			R151	GJ25003222199	CARBON RESISTOR	1/4WM J 2.2K	
	C923	GJ270141060399	E.CAPACITOR	25V VX M 10UF 5			R152	GJ250034722199	CARBON RESISTOR	1/4WM J 4.7K	
	C924	GJ270191050399	E.CAPACITOR	50V VX M 1UF 5X			R153	GJ250031032199	CARBON RESISTOR	1/4WM J 10K	
	C925	GJ270124760399	E.CAPACITOR	16V VX M 47UF 5			R154	GJ250035632199	CARBON RESISTOR	1/4WM J 56K	
	C926	GJ270122260399	E.CAPACITOR	16V VX M 22UF 5			R155	GJ250031522199	CARBON RESISTOR	1/4WM J 1.5K	
	C927	GJ270192250399	E.CAPACITOR	50V VX M 2.2UF			R156	GJ250034732199	CARBON RESISTOR	1/4WM J 47K	
	C928	GJ264141022199	C.CAPACITOR	50V B K 1000PF			R157	GJ250031522199	CARBON RESISTOR	1/4WM J 1.5K	
	D151	GJ310010220205	DIODE	1SS133T-77			△ R158	GJ259222281799	UNF RESISTOR	2W K 0.22 B-TM1	
	D251	GJ310010220205	DIODE	1SS133T-77			△ R159	GJ259222281799	UNF RESISTOR	2W K 0.22 B-TM1	
△	D901	GJ310020320223	BRIGE DIODE	TS6B02G (RECTI			△ R160	GJ255051511699	FUSIBLE RESISTO	1/4W J 150 BULK	
△	D902	GJ310020100116	DIODE	IN5391 1.5A 50V			R161	GJ250032202199	CARBON RESISTOR	1/4WM J 22	
△	D903	GJ310020100116	DIODE	IN5391 1.5A 50V			R162	GJ250032202199	CARBON RESISTOR	1/4WM J 22	
△	D904	GJ310020100116	DIODE	IN5391 1.5A 50V			R163	GJ250032202199	CARBON RESISTOR	1/4WM J 22	
△	D905	GJ310020100116	DIODE	IN5391 1.5A 50V			R164	GJ250031032199	CARBON RESISTOR	1/4WM J 10K	
	D906	GJ310020020104	DIODE	1N4001 B-AXIAL			R165	GJ254053911999	CARBON RESISTOR	1/4W J390 T=KIC	
	D907	GJ310030018905	ZENER DIODE	MTZJ-T-77-33C			R166	GJ254053911999	CARBON RESISTOR	1/4W J390 T=KIC	
	D908	GJ310030011105	ZENER DIODE	MTZJ-T-77-6.2A			R167	GJ250031032199	CARBON RESISTOR	1/4WM J 10K	
	D909	GJ310010220205	DIODE	1SS133T-77			R168	GJ250031022199	CARBON RESISTOR	1/4WM J 1K	

## ■ Electrical parts list (Power AMP board)

Block No. 03

△	Item	Parts number	Parts name	Remarks	Area
	R169	GJ250031042199	CARBON RESISTOR	1/4WM J 100K	
	R170	GJ250031022199	CARBON RESISTOR	1/4WM J 1K	
	R171	GJ250031032199	CARBON RESISTOR	1/4WM J 10K	
	R172	GJ250032202199	CARBON RESISTOR	1/4WM J 22	
	R173	GJ250031532199	CARBON RESISTOR	1/4WM J 15K	
	R251	GJ250032222199	CARBON RESISTOR	1/4WM J 2.2K	
	R252	GJ250034722199	CARBON RESISTOR	1/4WM J 4.7K	
	R253	GJ250031032199	CARBON RESISTOR	1/4WM J 10K	
	R254	GJ250035632199	CARBON RESISTOR	1/4WM J 56K	
	R255	GJ250031522199	CARBON RESISTOR	1/4WM J 1.5K	
	R256	GJ250034732199	CARBON RESISTOR	1/4WM J 47K	
	R257	GJ250031522199	CARBON RESISTOR	1/4WM J 1.5K	
△	R258	GJ259222281799	UNF RESISTOR	2W K 0.22 B-TM1	
△	R259	GJ259222281799	UNF RESISTOR	2W K 0.22 B-TM1	
△	R260	GJ255051511699	UNF RESISTOR	1/4W J 150 BULK	
	R261	GJ250032202199	CARBON RESISTOR	1/4WM J 22	
	R262	GJ250032202199	CARBON RESISTOR	1/4WM J 22	
	R263	GJ250032202199	CARBON RESISTOR	1/4WM J 22	
	R264	GJ250031032199	CARBON RESISTOR	1/4WM J 10K	
	R265	GJ254053911999	CARBON RESISTOR	1/4W J390 T=KIC	
	R266	GJ254053911999	CARBON RESISTOR	1/4W J390 T=KIC	
	R267	GJ250031032199	CARBON RESISTOR	1/4WM J 10K	
	R268	GJ250031022199	CARBON RESISTOR	1/4WM J 1K	
	R269	GJ250031042199	CARBON RESISTOR	1/4WM J 100K	
	R270	GJ250031022199	CARBON RESISTOR	1/4WM J 1K	
	R271	GJ250031032199	CARBON RESISTOR	1/4WM J 10K	
	R272	GJ250032202199	CARBON RESISTOR	1/4WM J 22	
	R273	GJ250031532199	CARBON RESISTOR	1/4WM J 15K	
	R307	GJ250032232199	CARBON RESISTOR	1/4WM J 22K	
	R901	GJ250034722199	CARBON RESISTOR	1/4WM J 4.7K	
△	R902	GJ255051011699	FUSIBLE RESISTO	1/4W J 100 KICK	
	R903	GJ250032222199	CARBON RESISTOR	1/4WM J 2.2K	
	R904	GJ250031012199	CARBON RESISTOR	1/4WM J 100	
	R905	GJ250031012199	CARBON RESISTOR	1/4WM J 100	
	R906	GJ250031032199	CARBON RESISTOR	1/4WM J 10K	
	R907	GJ250031022199	CARBON RESISTOR	1/4WM J 1K	
△	R908	GJ254252291999	UNF RESISTOR	1/2W J2.2 T=KIC	
	R909	GJ250034732199	CARBON RESISTOR	1/4WM J 47K	
	R910	GJ250032232199	CARBON RESISTOR	1/4WM J 22K	
	R911	GJ250033322199	CARBON RESISTOR	1/4WM J 3.3K	
	R912	GJ250034712199	CARBON RESISTOR	1/4WM J 470	
	R913	GJ250034712199	CARBON RESISTOR	1/4WM J 470	
	R914	GJ250031092199	CARBON RESISTOR	1/4WM J 1	
	R915	GJ250031092199	CARBON RESISTOR	1/4WM J 1	
	R916	GJ250031092199	CARBON RESISTOR	1/4WM J 1	
	R917	GJ250031022199	CARBON RESISTOR	1/4WM J 1K	
	R918	GJ250031032199	CARBON RESISTOR	1/4WM J 10K	
	R919	GJ250034732199	CARBON RESISTOR	1/4WM J 47K	
	R920	GJ250034712199	CARBON RESISTOR	1/4WM J 470	
	R921	GJ250034742199	CARBON RESISTOR	1/4WM J 470K	
	R922	GJ250032222199	CARBON RESISTOR	1/4WM J 2.2K	
	R923	GJ250031042199	CARBON RESISTOR	1/4WM J 100K	
	R924	GJ250032232199	CARBON RESISTOR	1/4WM J 22K	
	R925	GJ250034732199	CARBON RESISTOR	1/4WM J 47K	
	R926	GJ250031032199	CARBON RESISTOR	1/4WM J 10K	
	R927	GJ250031042199	CARBON RESISTOR	1/4WM J 100K	
	R928	GJ250031002199	CARBON RESISTOR	1/4WM J 10	
	R929	GJ250031502199	CARBON RESISTOR	1/4WM J 15	
	R930	GJ250032222199	CARBON RESISTOR	1/4WM J 2.2K	
	R931	GJ250031032199	CARBON RESISTOR	1/4WM J 10K	

## ■ Electrical parts list (VCD board)

Block No. 04

△	Item	Parts number	Parts name	Remarks	Area
	CN101	GJ340121250102	CONNECTOR	P=1MM 25PIN (C	
	C1101	GJ214021042499	CHIP M.CAPACITO	25V Z K 0.1UF	
	C1102	GJ214021042499	CHIP M.CAPACITO	25V Z K 0.1UF	
	C1103	GJ270121060399	E.CAPACITOR	16V M 10UF 5X11	
	C1104	GJ214021042499	CHIP M.CAPACITO	25V Z K 0.1UF	
	C1105	GJ214021042499	CHIP M.CAPACITO	25V Z K 0.1UF	
	C1106	GJ270121070399	E.CAPACITOR	16V VX M 100UF	
	C1107	GJ214021042499	CHIP M.CAPACITO	25V Z K 0.1UF	
	C1108	GJ270121060399	E.CAPACITOR	16V M 10UF 5X11	
	C1109	GJ270121060399	E.CAPACITOR	16V M 10UF 5X11	
	C1110	GJ214021042499	CHIP M.CAPACITO	25V Z K 0.1UF	
	C1111	GJ214021042499	CHIP M.CAPACITO	25V Z K 0.1UF	
	C1112	GJ214021042499	CHIP M.CAPACITO	25V Z K 0.1UF	
	C1113	GJ214021042499	CHIP M.CAPACITO	25V Z K 0.1UF	
	C1114	GJ214021042499	CHIP M.CAPACITO	25V Z K 0.1UF	
	C1115	GJ214021042499	CHIP M.CAPACITO	25V Z K 0.1UF	
	C1116	GJ214021042499	CHIP M.CAPACITO	25V Z K 0.1UF	
	C1117	GJ270124760399	E.CAPACITOR	16V M 47UF 5X11	
	C1118	GJ214021042499	CHIP M.CAPACITO	25V Z K 0.1UF	
	C1119	GJ214021042499	CHIP M.CAPACITO	25V Z K 0.1UF	
	C1120	GJ214021042499	CHIP M.CAPACITO	25V Z K 0.1UF	
	C1121	GJ270121070399	E.CAPACITOR	16V VX M 100UF	
	C1126	GJ270124760399	E.CAPACITOR	16V M 47UF 5X11	
	C1127	GJ214021042499	CHIP M.CAPACITO	25V Z K 0.1UF	
	C1128	GJ214021042499	CHIP M.CAPACITO	25V Z K 0.1UF	
	C1129	GJ214021042499	CHIP M.CAPACITO	25V Z K 0.1UF	
	C1130	GJ270121070399	E.CAPACITOR	16V VX M 100UF	
	C1131	GJ214021042499	CHIP M.CAPACITO	25V Z K 0.1UF	
	C1132	GJ210132712499	CHIP C.CAPACITO	50V CH J 270PF	
	C1134	GJ210133312499	CHIP C.CAPACITO	50V CH J 330PF	
	C1135	GJ214011032499	CHIP C.CAPACITO	50V BK 10000PF	
	C1137	GJ270114770399	E.CAPACITOR	10V VX M 470UF	
	C1138	GJ214011032499	CHIP C.CAPACITO	50V B K 10000PF	
	C1139	GJ210132702499	CHIP C.CAPACITO	50V CH J 27PF 1	
	C1140	GJ210132702499	CHIP C.CAPACITO	50V CH J 27PF	
	C1141	GJ214011022499	CHIP C.CAPACITO	50V BK 1000PF	
	C1142	GJ214021042499	CHIP M.CAPACITO	25V Z K 0.1UF	
	C1143	GJ270121070399	E.CAPACITOR	16V VX M 100UF	
	C1145	GJ214021042499	CHIP M.CAPACITO	25V Z K 0.1UF	
	C1146	GJ214021042499	CHIP M.CAPACITO	25V Z K 0.1UF	
	C1148	GJ214012222499	CHIP C.CAPACITO	50V K B 2200PF	
	C1149	GJ214012222499	CHIP C.CAPACITO	50V K B 2200PF	
	C1152	GJ270121060399	E.CAPACITOR	16V VX M 10UF	
	D1101	GJ310020020104	DIODE	1N4001 B-AXIAL	
	D1103	GJ310010220205	DIODE	1SS133T-77	
	D1104	GJ310010220205	DIODE	1SS133T-77	
	D1105	GJ310010220205	DIODE	1SS133T-77	
	D1106	GJ310010220205	DIODE	1SS133T-77	
	FF101	GJ353250300107	CABLE	25PINS P=1MM L=	
	IC101	GJ313030013255	IC	ES3880FL(IC1101	
	IC102	GJ313030012255	IC	ES3883F (IC1102	
	IC103	GJ313010011056	IC	M11B416256A-35J	
	IC104	GJ313020011157	IC	AT27C020 (IC110	
	IC105	GJ313010012055	IC	AMS1117-3.3 (IC	
	JP101	GJ200950002499	CHIP RESISTOR	1/16W J 0 1608(	
	J1101	GJ342030170309	JACK RCA	1 PIN YELLOW	
	L1101	GJ241111002102	INDUCTOR	10UH 5% Q40	
	L1102	GJ371010100005	FERRITE, BEAD	LGK0305TBA	
	L1103	GJ241111002102	INDUCTOR	10UH 5% Q40	
	L1104	GJ371010100005	FERRITE, BEAD	LGK0305TBA	
	L1105	GJ371010100005	FERRITE, BEAD	LGK0305TBA	
	L1106	GJ241112792102	INDUCTOR	2.7UH 5% Q40	
	L1108	GJ241013392001	INDUCTOR	3.3UH J% Q40	

△	Item	Parts number	Parts name	Remarks	Area
	Q1101	GJ312011931210	TRANSISTOR	KTA1504Y	
	R1101	GJ200954722499	CHIP RESISTOR	1/16W J 4.7K 16	
	R1103	GJ200953302499	CHIP RESISTOR	1/16W J 33 1608	
	R1104	GJ200953302499	CHIP RESISTOR	1/16W J 33 1608	
	R1105	GJ200951002499	CHIP RESISTOR	1/16W J 10 1608	
	R1106	GJ200951002499	CHIP RESISTOR	1/16W J 10 160	
	R1107	GJ200954722499	CHIP RESISTOR	1/16W J 4.7K 1	
	R1108	GJ200953302499	CHIP RESISTOR	1/16W J 33 160	
	R1109	GJ200951022499	CHIP RESISTOR	1/16W J 1K 16	
	R1110	GJ200954722499	CHIP RESISTOR	1/16W J 4.7K	
	R1111	GJ200954722499	CHIP RESISTOR	1/16W J 4.7K	
	R1112	GJ200954722499	CHIP RESISTOR	1/16W J 4.7K	
	R1113	GJ200954722499	CHIP RESISTOR	1/16W J 4.7K	
	R1114	GJ200954722499	CHIP RESISTOR	1/16W J 4.7K	
	R1115	GJ200954722499	CHIP RESISTOR	1/16W J 4.7K	
	R1120	GJ200952712499	CHIP RESISTOR	1/16W J 270	
	R1121	GJ200951512499	CHIP RESISTOR	1/16W J 150	
	R1122	GJ200951002499	CHIP RESISTOR	1/16W J 10 1	
	R1123	GJ200954722499	CHIP RESISTOR	1/16W J 4.7K	
	R1124	GJ200951042499	CHIP RESISTOR	1/16W J 100K	
	R1125	GJ200951022499	CHIP RESISTOR	1/16W J 1K 1	
	R1126	GJ200957502499	CHIP RESISTOR	1/16W J 75 160	
	R1127	GJ200957502499	CHIP RESISTOR	1/16W J 75 16	
	R1128	GJ200952212499	CHIP RESISTOR	1/16W J 220 16	
	R1129	GJ200952212499	CHIP RESISTOR	1/16W J 220 1	
	R1130	GJ200952212499	CHIP RESISTOR	1/16W J 220 1	
	R1132	GJ200952222499	CHIP RESISTOR	1/16W J 2.2K 1	
	R1133	GJ200952222499	CHIP RESISTOR	1/16W J 2.2K	
	R1134	GJ200950002499	CHIP RESISTOR	1/16W J 0 160	
	R1135	GJ200950092499	CHIP RESISTOR	1/16W J 0 1608	
	R1136	GJ200957502499	CHIP RESISTOR	1/16W J 75 16	
	R1137	GJ200951032499	CHIP RESISTOR	1/16W J 10K 1	
	R1138	GJ200954722499	CHIP RESISTOR	1/16W J 4.7K	
	R1139	GJ200952212499	CHIP RESISTOR	1/16W J 220	
	R1140	GJ200952212499	CHIP RESISTOR	1/16W J 220 1	
	R1141	GJ200952212499	CHIP RESISTOR	1/16W J 220	
	R1142	GJ200952212499	CHIP RESISTOR	1/16W J 220	
	R1143	GJ200952212499	CHIP RESISTOR	1/16W J 220	
	R1144	GJ200952212499	CHIP RESISTOR	1/16W J 220	
	R1145	GJ200952212499	CHIP RESISTOR	1/16W J 220	
	R1146	GJ200952212499	CHIP RESISTOR	1/16W J 220	
	R1147	GJ200952212499	CHIP RESISTOR	1/16W J 220	
	R1148	GJ200952212499	CHIP RESISTOR	1/16W J 220	
	R1149	GJ200952212499	CHIP RESISTOR	1/16W J 220	
	X1101	GJ361000470013	CRYSTAL	27.00MHZ +20PP	

## ■ Electrical parts list (Power supply board)

Block No. 05

△	Item	Parts number	Parts name	Remarks	Area
	CF951	GJ560660040101	FUSE HOLDER	QTY 2	
	CF952	GJ560660040101	FUSE HOLDER	QTY 2	
	FW951	GJ353090190107	CABLE FLAT	9PINS L=190MM	
△	F951	GJ369000180005	FUSE	5X20 250V 2.5A	
△	F952	GJ369000180005	FUSE	TIMELAG XXX 250	
△	S999	GJ390180043221	SWITCH VOLTAGE	CMTA98070301(C2	
	TB901	GJ727000010004	SOLDERING TAP	(WIRING TUB)	
	TB902	GJ727000010000	SOLDERING TAPIN	(TP0047341) OR	

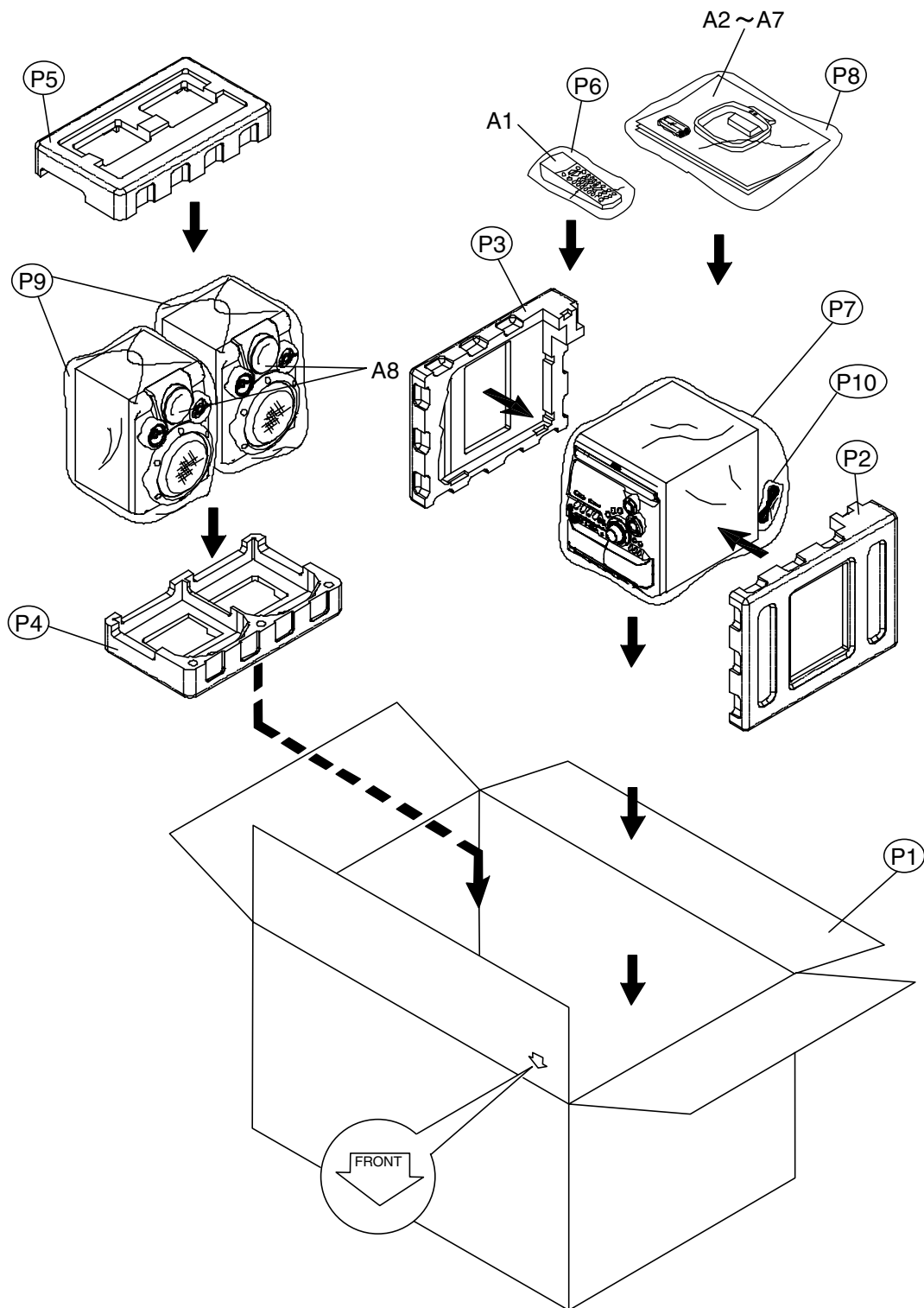
# Packing materials and accessories parts list

Block No. 

M	3	M	M
---	---	---	---

Block No. 

M	5	M	M
---	---	---	---



## ■ Parts list (Packing)

Block No. M3MM

△	Item	Parts number	Parts name	Q'ty	Description	Area
	P 1	GJ56053700102	CARTON	1		US,UX
	P 2	GJ560531300101	POLYFOAM	1	RIGHT	
	P 3	GJ560531200101	POLYFOAM	1	LEFT	
	P 4	GJ560531000101	POLYFOAM	1	BOTTOM SPEAKER	
	P 5	GJ560530900101	POLYFOAM	1	TOP SPEAKER	
	P 6	GJ740082550400	POLYBAG	1		
	P 7	GJ740707020300	POLYBAG	1		
	P 8	GJ740362550000	POLYBAG	1		
	P 9	GJ740486230300	POLYBAG	2		
	P 10	GJ740122550000	POLYBAG	1		

## ■ Parts list (Accessories)

Block No. M5MM

△	Item	Parts number	Parts name	Q'ty	Description	Area
	A 1	GJA1002048001C	REMOTECOMMANDER	1	RM-SMXK35V	US,UX
	A 2	GJA2052001001C	AM LOOP ANTENNA	1	HST-D4A	
	A 3	-----	BATTERY	1		
	A 4	GJ773012980101	INSTRUCTIONS	1	ENG CHI(PEKIN)	US
		GJ773013080101	INSTRUCTIONS	1	ENG ARA	UX
	A 5	GJ351001402431	FM ANTENNA	1		
△	A 6	GJ338030030002	CONVERSION PLUG	1	2P ENZ2202-001C	US
△	A 7	GJ338030020002	CONVERSION PLUG	1	AC250/125V 6A E	UX
	A 8	MXK35K-SPBOX-L	SPEAKER BOOX	1	L	
		MXK35K-SPBOX-R	SPEAKER BOX	1	R	